

CraneBoard SCHEMATIC

VERSION HISTORY

VER #	DESCRIPTION	AUTHOR	DATE
1.00	RELEASED	CraneBoard DESIGN TEAM	06-DEC-2010

VERSION- REVISION MATRIX

REV	B
VERSION	1.00



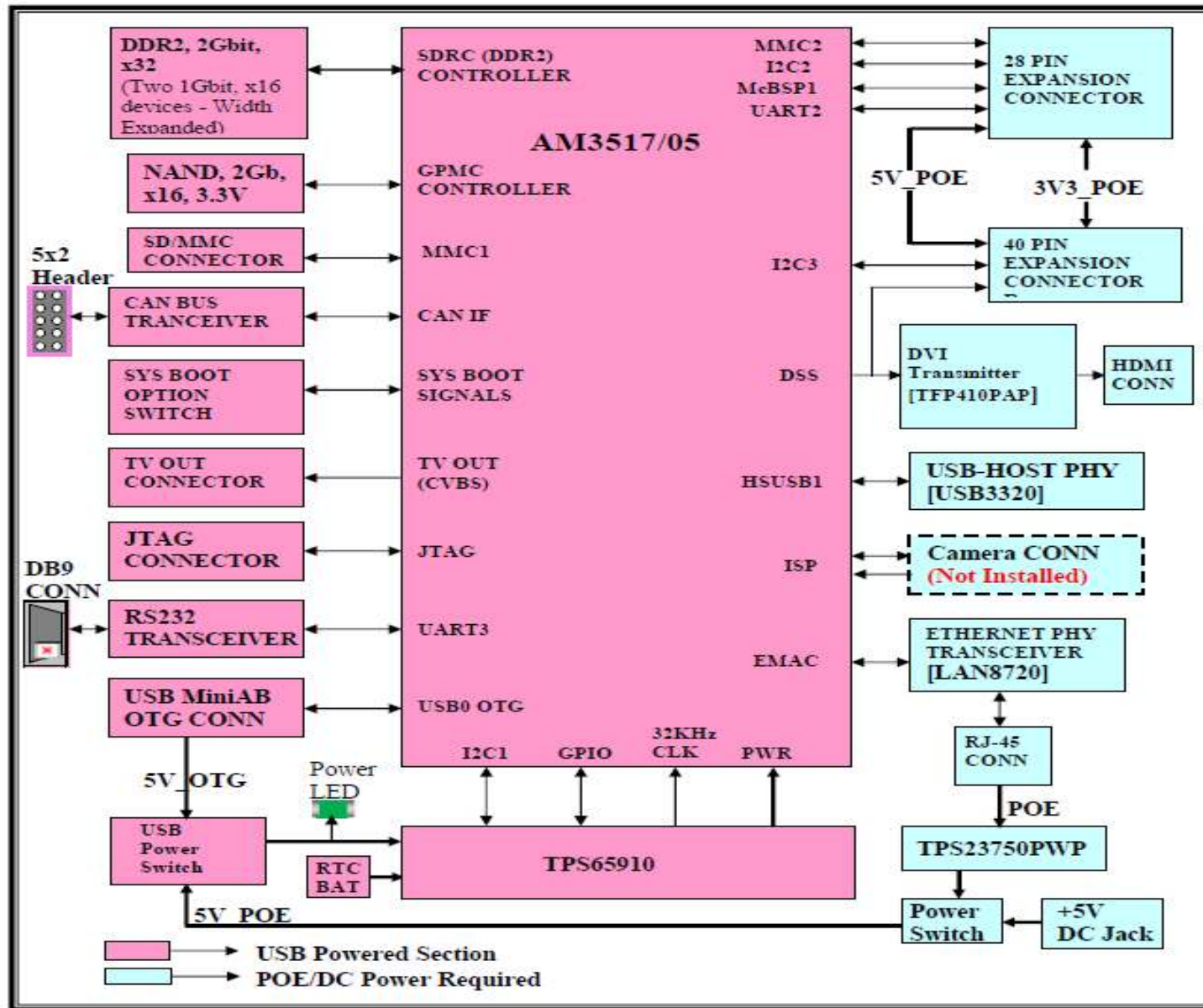
REV NO.	NATURE OF CHANGE	APPROVED BY	DATE	 Mistral Solutions [P] Ltd. #60 Adarsh regent,100 Feet Ring Road, Domlur Extension Bangalore 560 071, Ph : +91-80-30912600, Fax :+91-80-2535 6444		Title	
						COVER PAGE	
				Drawn by: CraneBoard DESIGN TEAM Date: Wednesday, May 05, 2010	Approved by: SIVARAM Date: Thursday, December 09, 2010	Size: B Document Number: MS_TI_CRANE_SCH_REVB	Rev: B
				Design file path: D:\MS_TI_CRANE_SCH_REVB.DSN		Date: Wednesday, December 08, 2010	Sheet 1 of 14

TABLE OF CONTENTS

PAGE NO	CONTENTS
01	COVER PAGE
02	TABLE OF CONTENTS
03	BLOCK DIAGRAM
04	DDR2 INTERFACE
05	NAND INTERFACE
06	POWER MANAGEMENT
07	ETHERNET INTERFACE
08	DVI & LCD INTERFACE
09	USB OTG AND JTAG INTERFACE
10	EXPANSION CONNECTOR
11	USB HOST
12	POWER OVER ETHERNET
13	POWER SOURCE SELECTION
14	UART,CAN AND MMC INTERFACE

REV NO.	NATURE OF CHANGE	APPROVED BY	DATE	 Mistral Solutions [P] Ltd. #60 Adarsh regent,100 Feet Ring Road, Domlur Extension Bangalore 560 071, Ph : +91-80-30912600, Fax :+91-80-2535 6444		Title TABLE OF CONTENTS		
				Drawn by: CraneBoard DESIGN TEAM Date: Wednesday, May 05, 2010	Approved by: SIVARAM Date: Thursday, December 09, 2010	Size B	Document Number MS_TI_CRANE_SCH_REV B	Rev B
				Design file path: D:\MS_TI_CRANE_SCH_REV B.DSN		Date: Wednesday, December 08, 2010	Sheet 2 of 14	

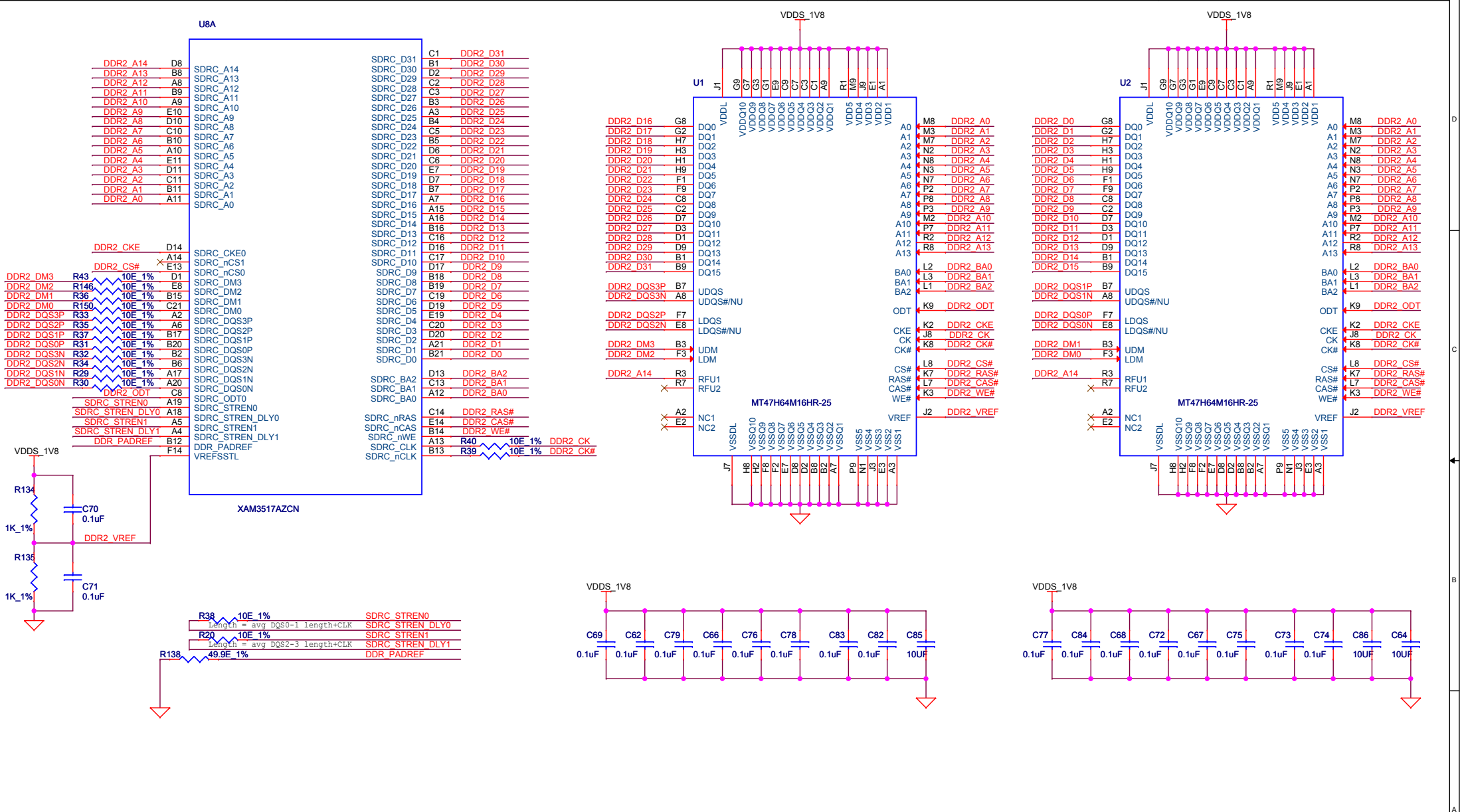


→ USB Powered Section
 → POE/DC Power Required

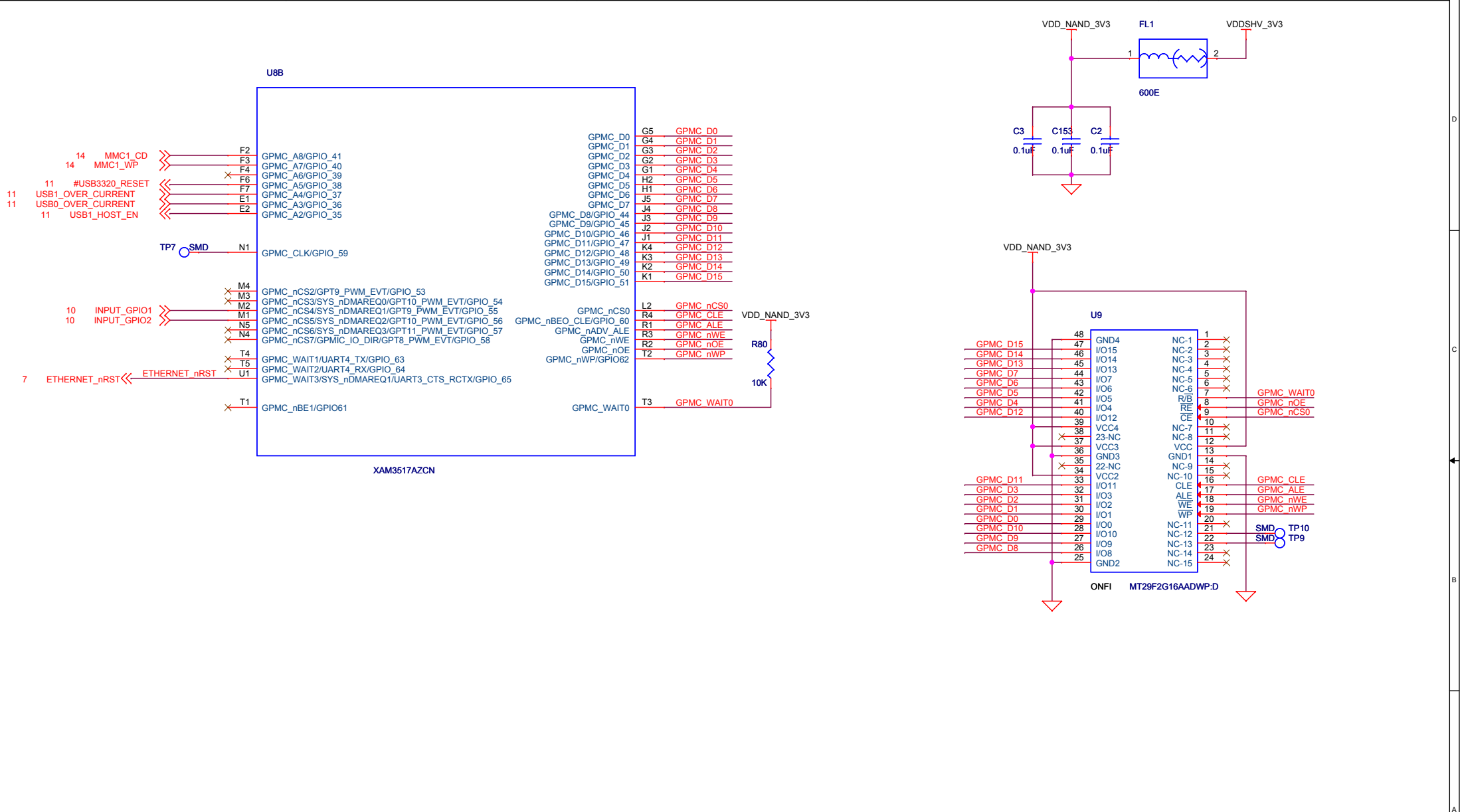
REV NO.	NATURE OF CHANGE	APPROVED BY	DATE

Mistral Solutions [P] Ltd.
 #60 Adarsh regent, 100 Feet Ring Road, Domlur Extension
 Bangalore 560 071, Ph : +91-80-30912600, Fax : +91-80-2535 6444
 Drawn by: CraneBoard DESIGN TEAM Approved by: SIVARAM
 Date: Wednesday, May 05, 2010 Date: Thursday, December 09, 2010
 Design file path: D:\MS_TI_CRANE_SCH_REV8.DSN

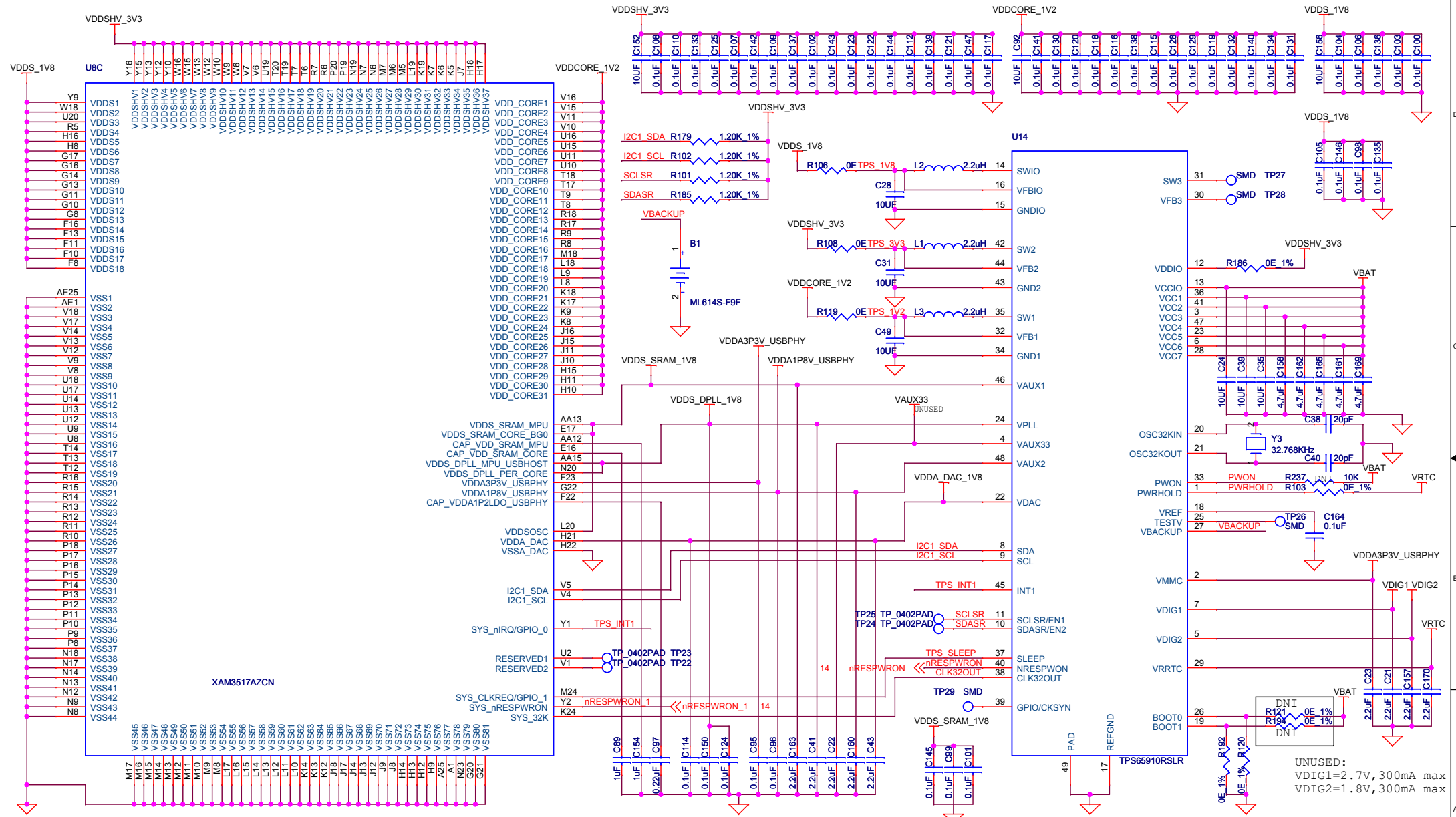
Title		Rev
BLOCK DIAGRAM		
Size	Document Number	
B	MS_TI_CRANE_SCH_REV8	B
Date:	Wednesday, December 08, 2010	Sheet 3 of 14



REV NO.	NATURE OF CHANGE	APPROVED BY	DATE	Mistral Solutions [P] Ltd.		Title	
				 #60 Adarsh regent, 100 Feet Ring Road, Domlur Extension Bangalore 560 071, Ph : +91-80-30912600, Fax : +91-80-2535 6444		DDR2 INTERFACE	
				Drawn by: CraneBoard DESIGN TEAM Date: Wednesday, May 05, 2010	Approved by: SIVARAM Date: Thursday, December 09, 2010	Size: B Document Number: MS_TI_CRANE_SCH_REV8	Rev: B
				Design file path: D:\MS_TI_CRANE_SCH_REV8.DSN		Date: Wednesday, December 08, 2010	Sheet 4 of 14

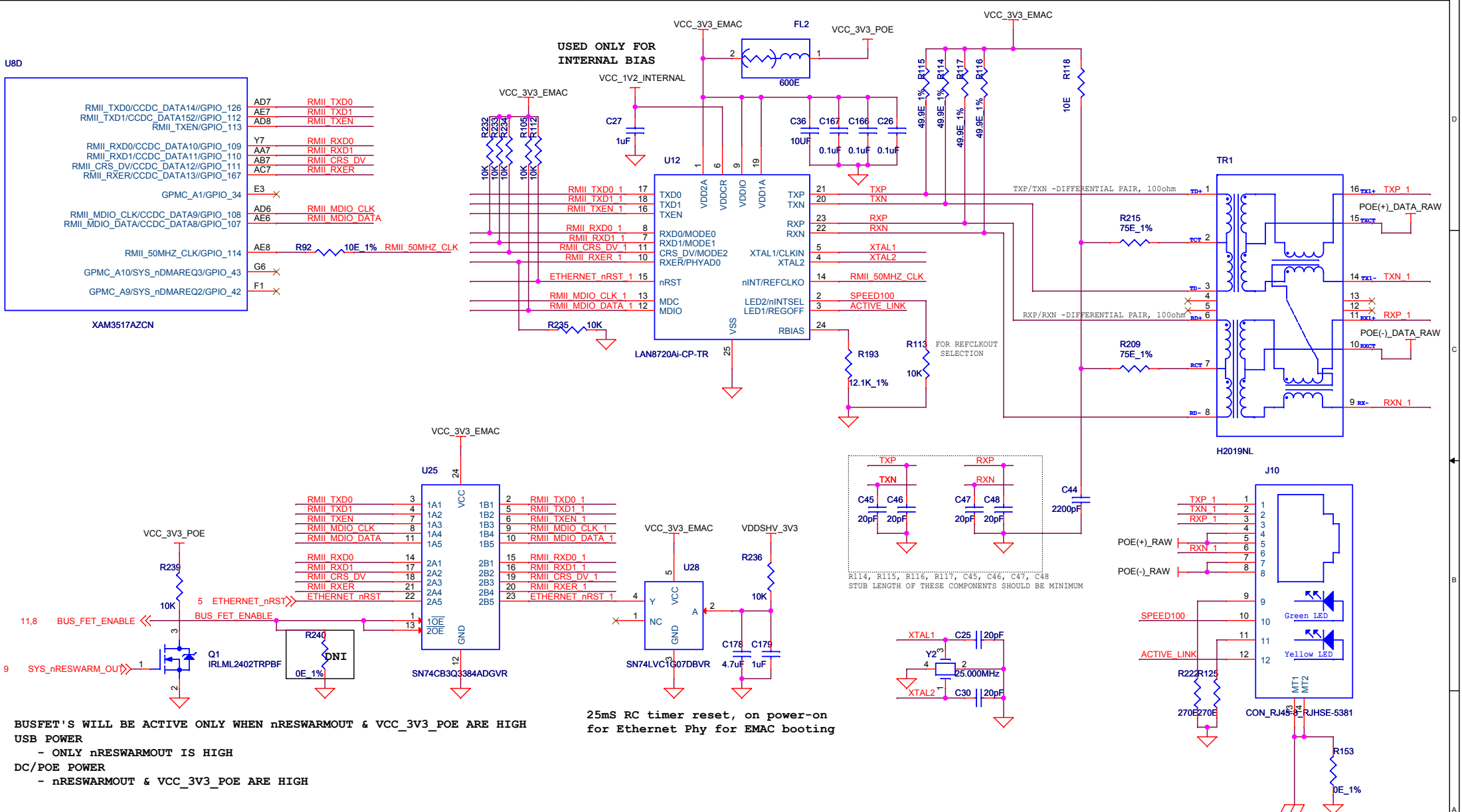


REV NO.	NATURE OF CHANGE	APPROVED BY	DATE	Mistral Solutions [P] Ltd. #60 Adarsh regent,100 Feet Ring Road, Domlur Extension Bangalore 560 071, Ph : +91-80-30912600, Fax :+91-80-2535 6444		Title NAND INTERFACE	
				Drawn by: CraneBoard DESIGN TEAM	Approved by: SIVARAM	Size: B	Document Number: MS_TI_CRANE_SCH_REV B
				Date: Wednesday, May 05, 2010	Date: Thursday, December 09, 2010		Rev: B
				Design file path: D:\MS_TI_CRANE_SCH_REV B.DSN		Date: Wednesday, December 08, 2010	Sheet 5 of 14

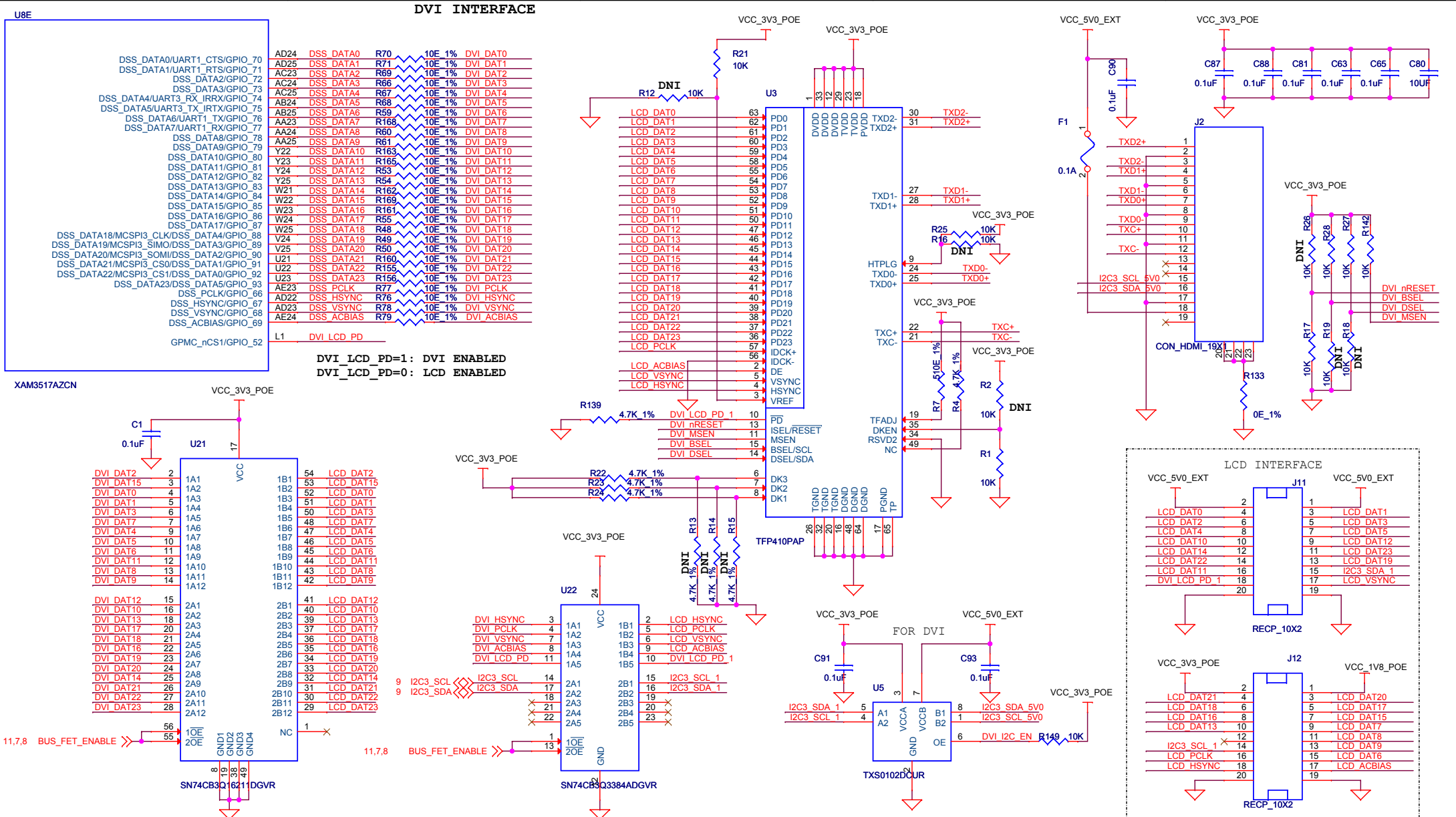


UNUSED:
 VDIG1=2.7V, 300mA max
 VDIG2=1.8V, 300mA max

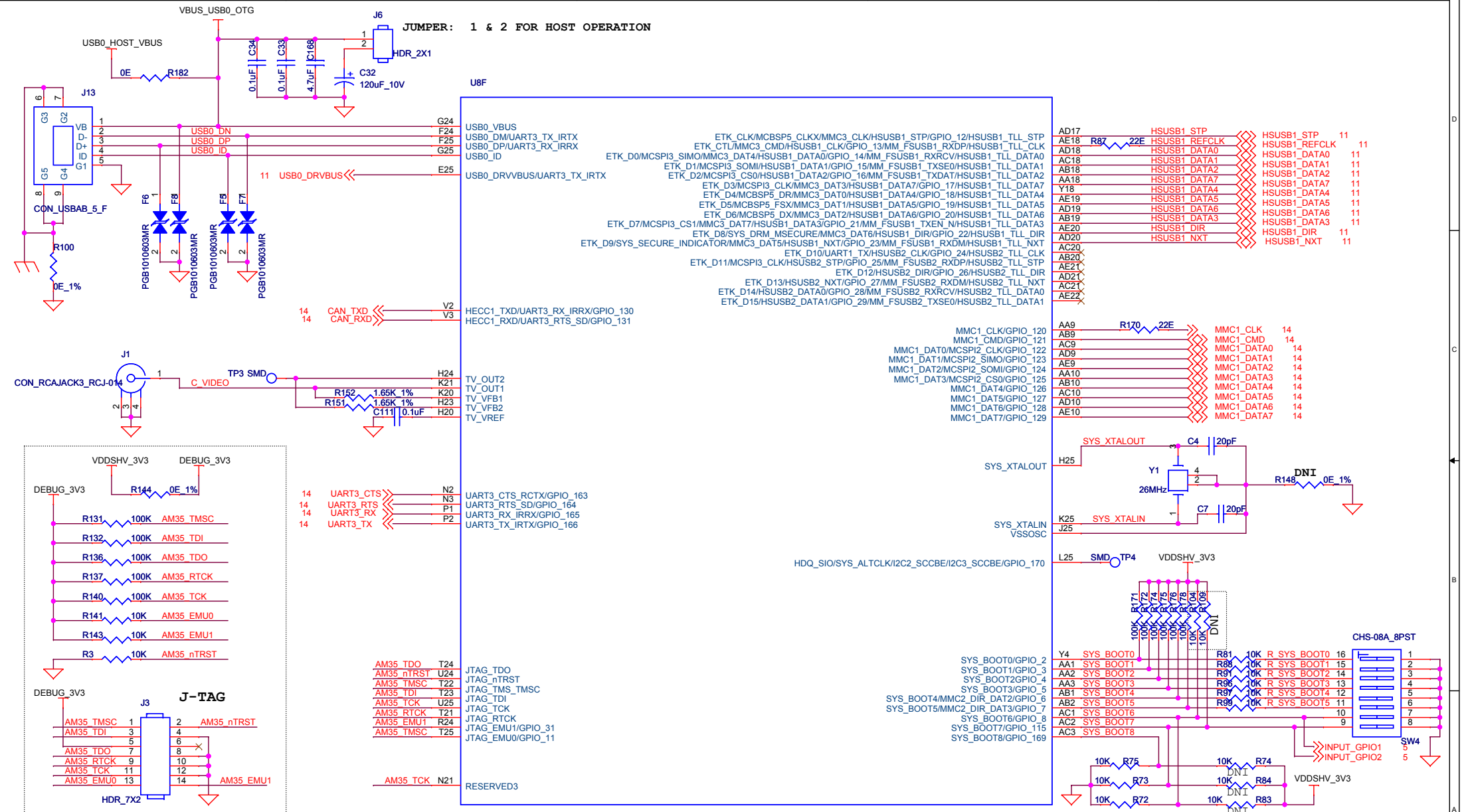
REV NO.	NATURE OF CHANGE	APPROVED BY	DATE	Mistral Solutions [P] Ltd.		Title	
				#60 Adarsh regent, 100 Feet Ring Road, Domlur Extension Bangalore 560 071, Ph : +91-80-30912600, Fax : +91-80-2535 6444		POWER MANAGEMENT	
				Drawn by: CraneBoard DESIGN TEAM Date: Wednesday, May 05, 2010	Approved by: SIVARAM Date: Thursday, December 09, 2010	Size: B Document Number: MS_TI_CRANE_SCH_REVB	Rev: B
				Design file path: D:\MS_TI_CRANE_SCH_REVB.DSN		Date: Wednesday, December 08, 2010	Sheet 6 of 14



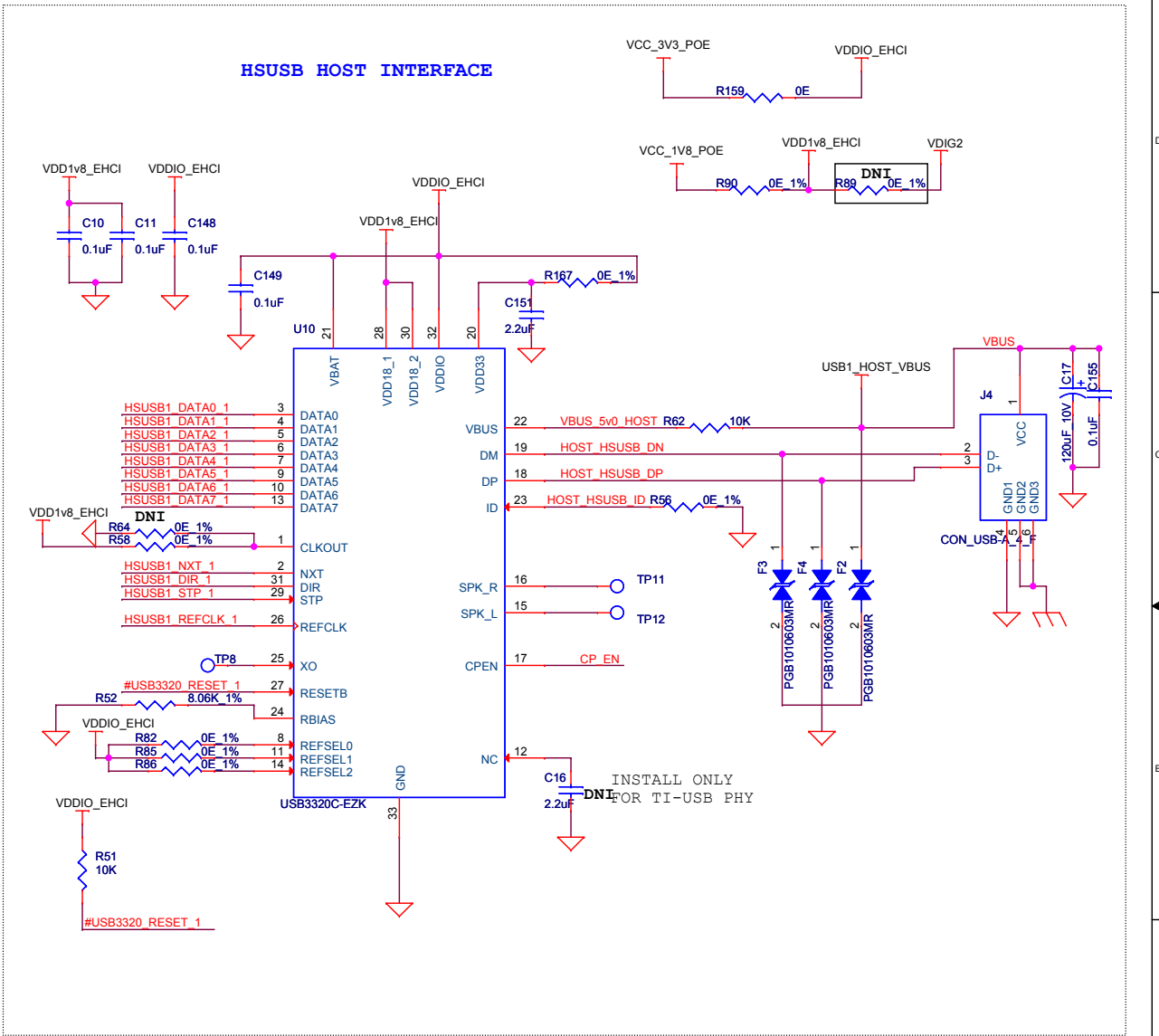
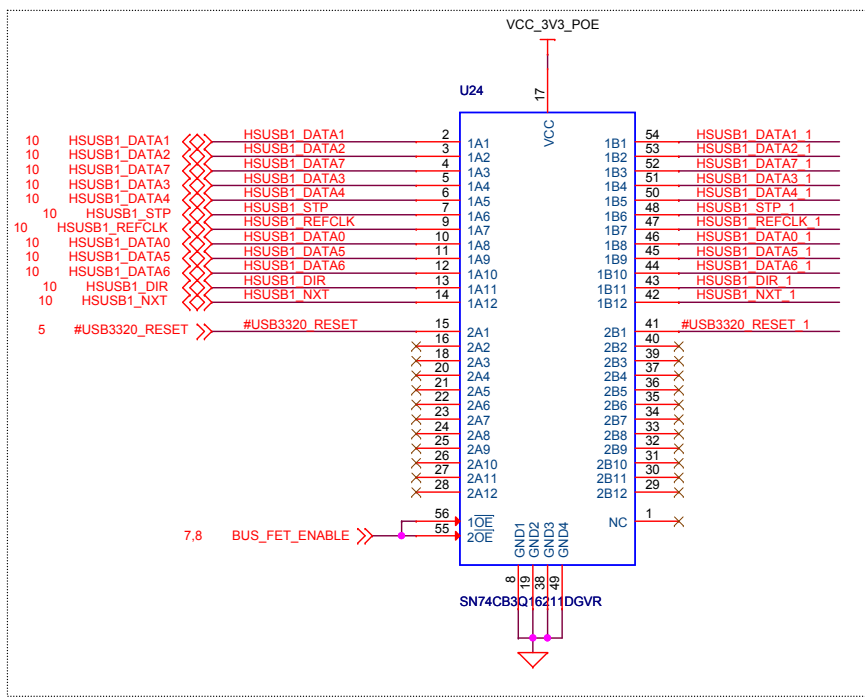
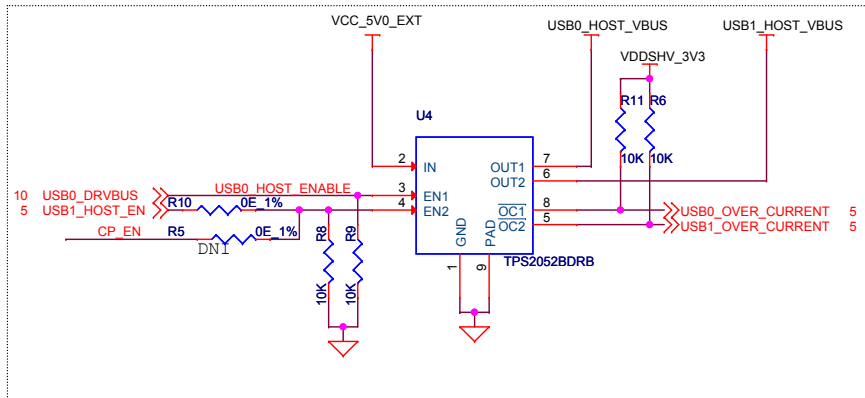
REV NO.	NATURE OF CHANGE	APPROVED BY	DATE	Mistral Solutions [P] Ltd.		Title	
				 #60 Adarsh regent, 100 Feet Ring Road, Domlur Extension Bangalore 560 071, Ph : +91-80-30912600, Fax : +91-80-2535 6444		ETHERNET	
				Drawn by: CraneBoard DESIGN TEAM	Approved by: SIVARAM	Size: B	Document Number: MS_TI_CRANE_SCH_REV B
				Date: Wednesday, May 05, 2010	Date: Thursday, December 09, 2010	Rev: B	
				Design file path: D:\MS_TI_CRANE_SCH_REV B.DSN		Date: Wednesday, December 08, 2010	Sheet 7 of 14



REV NO.	NATURE OF CHANGE	APPROVED BY	DATE	Mistral Solutions [P] Ltd.		Title	
				 #60 Adarsh regent, 100 Feet Ring Road, Domlur Extension Bangalore 560 071, Ph : +91-80-30912600, Fax : +91-80-2535 6444		DVI INTERFACE AND LCD EXPANSION	
				Drawn by: CraneBoard DESIGN TEAM Date: Wednesday, May 05, 2010	Approved by: SIVARAM Date: Thursday, December 09, 2010	Size: B Document Number: MS_TI_CRANE_SCH_REVB	Rev: B
				Design file path: D:\MS_TI_CRANE_SCH_REVB.DSN		Date: Wednesday, December 08, 2010	Sheet 8 of 14



REV NO.	NATURE OF CHANGE	APPROVED BY	DATE	Mistral Solutions [P] Ltd.		Title	
				 #60 Adarsh regent, 100 Feet Ring Road, Domlur Extension Bangalore 560 071, Ph : +91-80-30912600, Fax : +91-80-2535 6444		USB OTG AND JTAG INTERFACE	
				Drawn by: CraneBoard DESIGN TEAM Date: Wednesday, May 05, 2010	Approved by: SIVARAM Date: Thursday, December 09, 2010	Size: B Document Number: MS_TI_CRANE_SCH_REVB	Rev: B
				Design file path: D:\MS_TI_CRANE_SCH_REVB.DSN		Date: Wednesday, December 08, 2010	Sheet 10 of 14



REV NO.	NATURE OF CHANGE	APPROVED BY	DATE

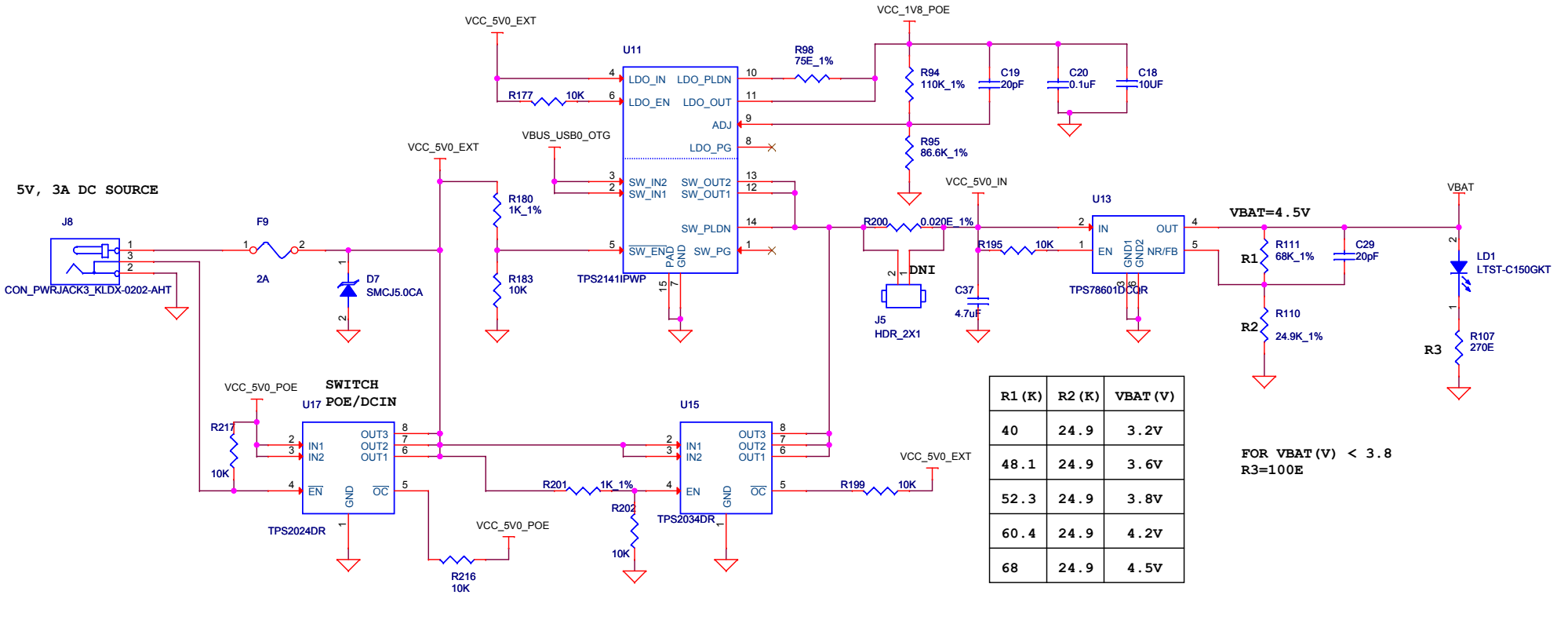
Mistral Solutions [P] Ltd.
 #60 Adarsh regent, 100 Feet Ring Road, Domlur Extension
 Bangalore 560 071, Ph : +91-80-30912600, Fax : +91-80-2535 6444

Drawn by: CraneBoard DESIGN TEAM
 Date: Wednesday, May 05, 2010

Approved by: SIVARAM
 Date: Thursday, December 09, 2010

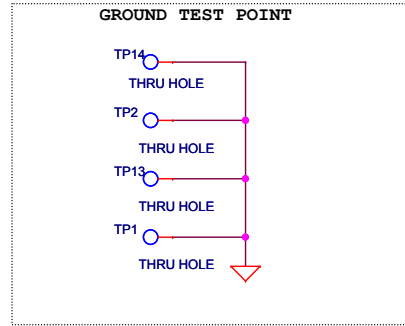
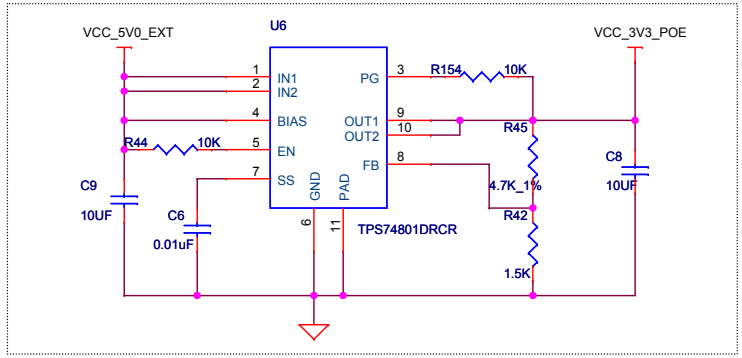
Design file path: D:\MS_TI_CRANE_SCH_REV8.DSN

Title		Rev
USB HOST		
Size	Document Number	
B	MS_TI_CRANE_SCH_REV8	B
Date:	Wednesday, December 08, 2010	Sheet 11 of 14

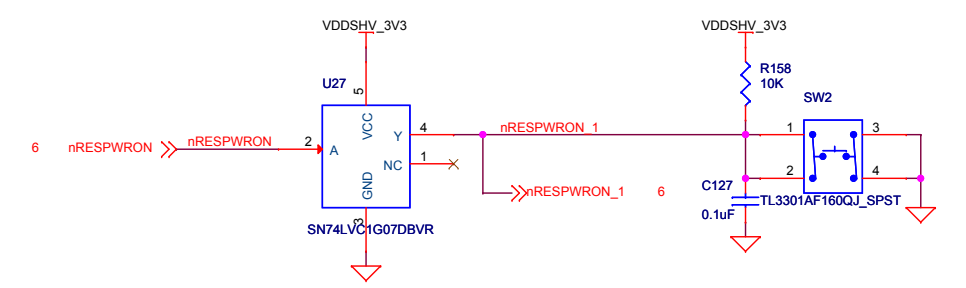
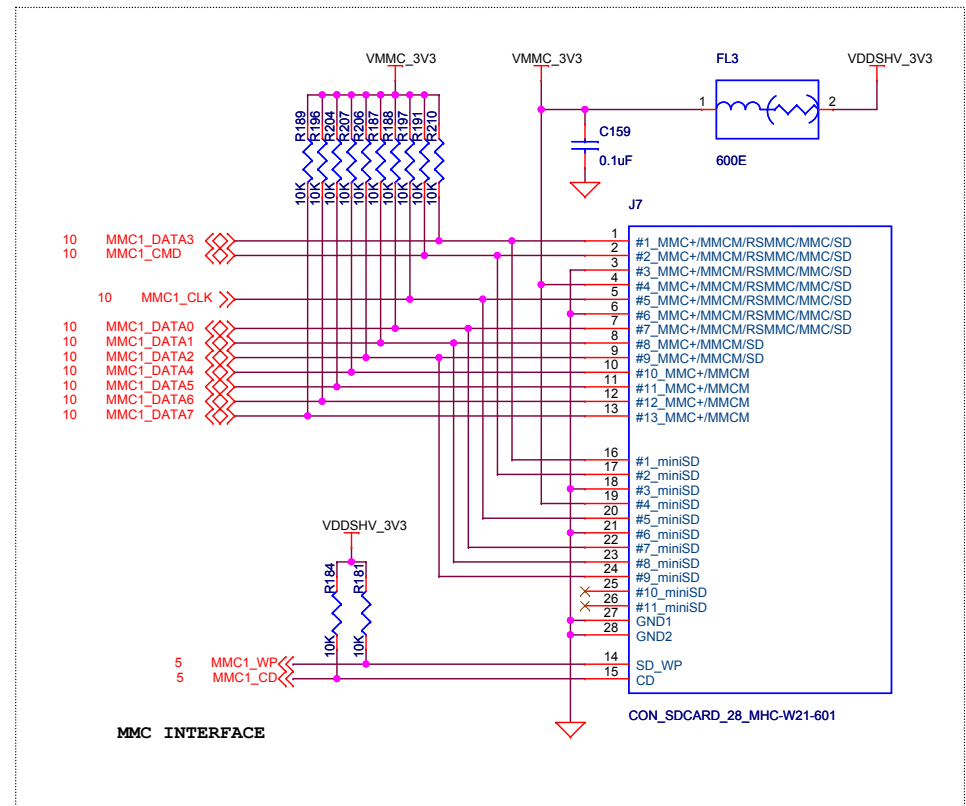
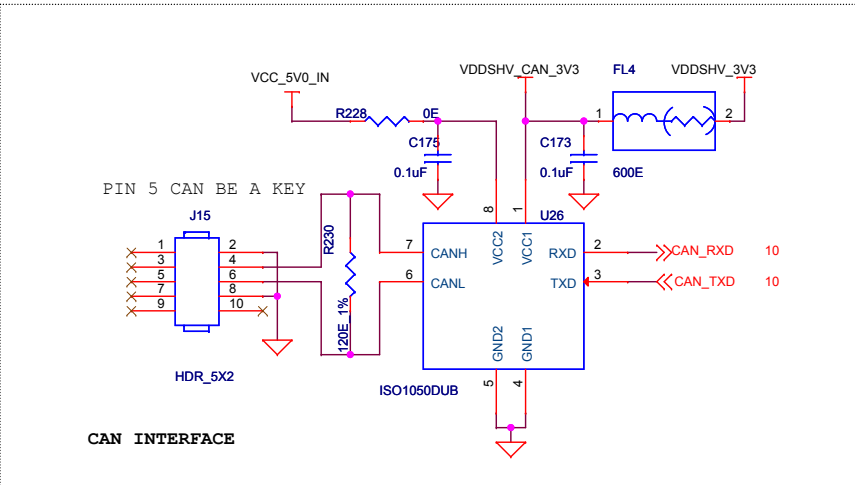
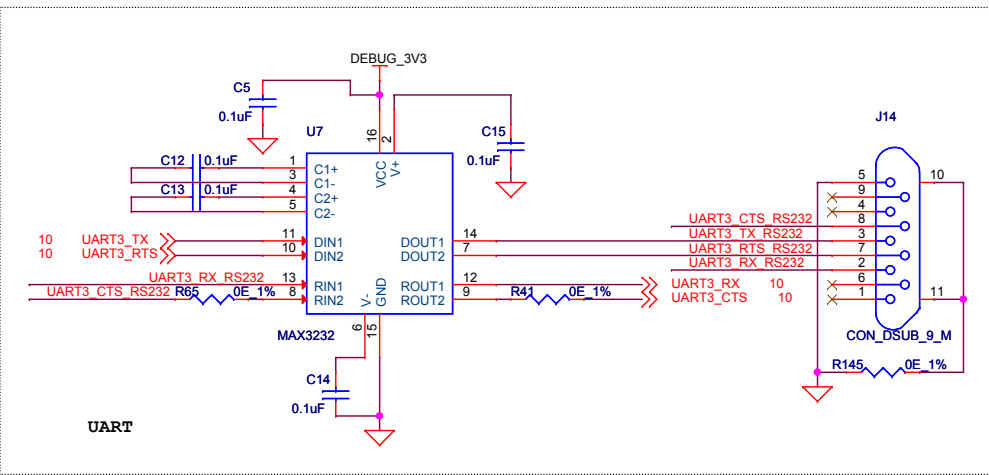


R1 (K)	R2 (K)	VBAT (V)
40	24.9	3.2V
48.1	24.9	3.6V
52.3	24.9	3.8V
60.4	24.9	4.2V
68	24.9	4.5V

FOR VBAT (V) < 3.8
R3=100E



REV NO.	NATURE OF CHANGE	APPROVED BY	DATE	Mistral Solutions [P] Ltd. #60 Adarsh regent,100 Feet Ring Road, Domlur Extension Bangalore 560 071, Ph : +91-80-30912600, Fax :+91-80-2535 6444		Title POWER SOURCE SELECTION	
				Drawn by: CraneBoard DESIGN TEAM	Approved by: SIVARAM	Size: B	Document Number: MS_TI_CRANE_SCH_REV B
				Date: Wednesday, May 05, 2010	Date: Thursday, December 09, 2010	Rev: B	
				Design file path: D:\MS_TI_CRANE_SCH_REV B.DSN		Date: Wednesday, December 08, 2010	Sheet 13 of 14



REV NO.	NATURE OF CHANGE	APPROVED BY	DATE	Mistral Solutions [P] Ltd.		Title	
				#60 Adarsh regent, 100 Feet Ring Road, Domlur Extension Bangalore 560 071, Ph : +91-80-30912600, Fax : +91-80-2535 6444		UART, CAN AND MMC INTERFACE	
				Drawn by: CraneBoard DESIGN TEAM Date: Wednesday, May 05, 2010	Approved by: SIVARAM Date: Thursday, December 09, 2010	Size: B Document Number: MS_TI_CRANE_SCH_REVB	Rev: B
				Design file path: D:\MS_TI_CRANE_SCH_REVB.DSN		Date: Wednesday, December 08, 2010	Sheet 14 of 14