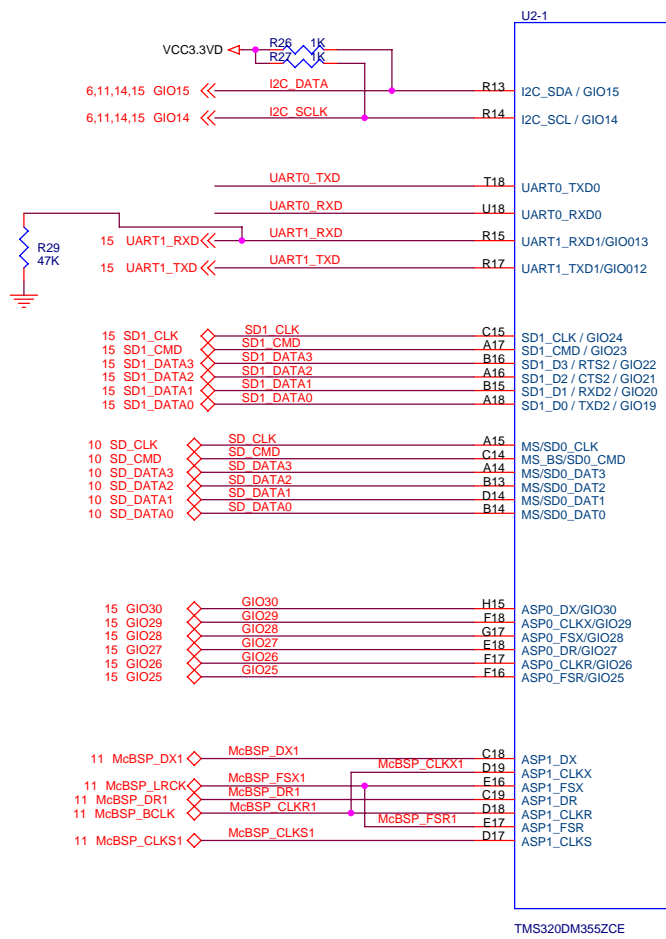


REV	DESCRIPTION	DATE	APPROVED
A	Initial schematic ready for layout - Alpha Release	02/02/09	
B	Production Release	05/08/09	
C	V1.5 Release - Add USB Host Mode	01/02/10	
D			

SCHEMATIC CONTENTS

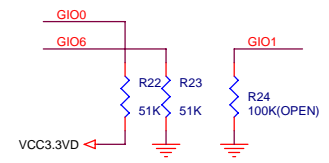
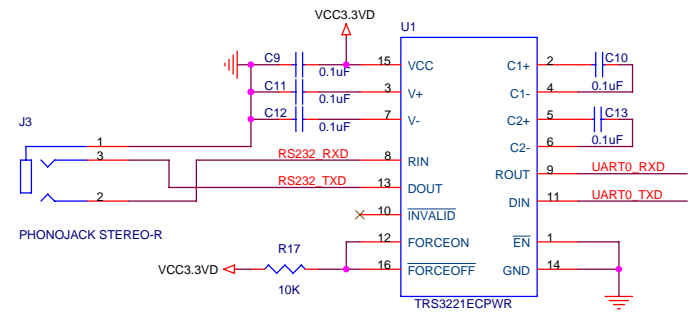
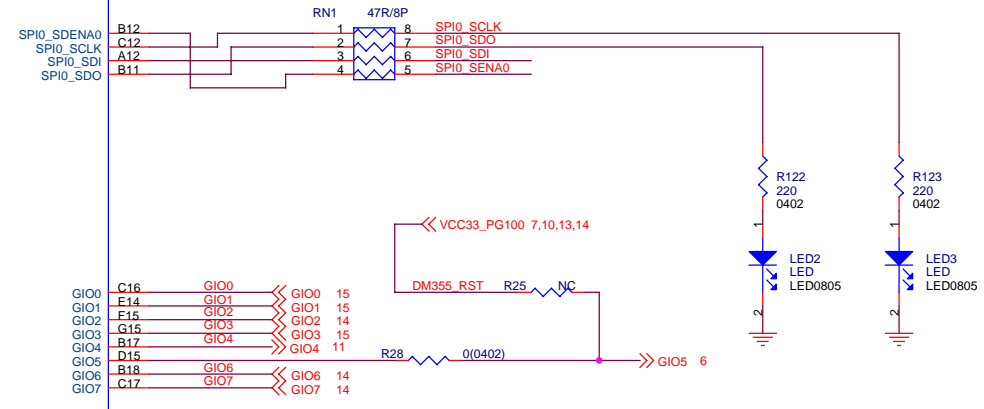
- SHEET01 - TITLE
- SHEET02 - DM355 SERIAL IO
- SHEET03 - DM355 DDR2
- SHEET04 - DM355 EMIF
- SHEET05 - DM355 USB
- SHEET06 - DM355 VIDEO
- SHEET07 - DM355 JTAG,CLKS,RESET
- SHEET08 - DM355 POWER
- SHEET09 - MISC
- SHEET10 - NAND BOOT & SD CARD
- SHEET11 - AUDIO
- SHEET12 - ETHERNET
- SHEET13 - SYSTEM POWER
- SHEET14 - LCD INTERFACE
- SHEET15 - EXTERNAL IO

LEOPARD IMAGING INC			
Title: DM355 LEOPARD BOARD			
Page Contents: TITLE SHEET			
Size: B	DWG NO 0001	Revision: 1.5	
Date: Wednesday, January 27, 2010	Sheet 1 of 15		

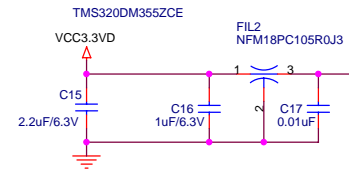
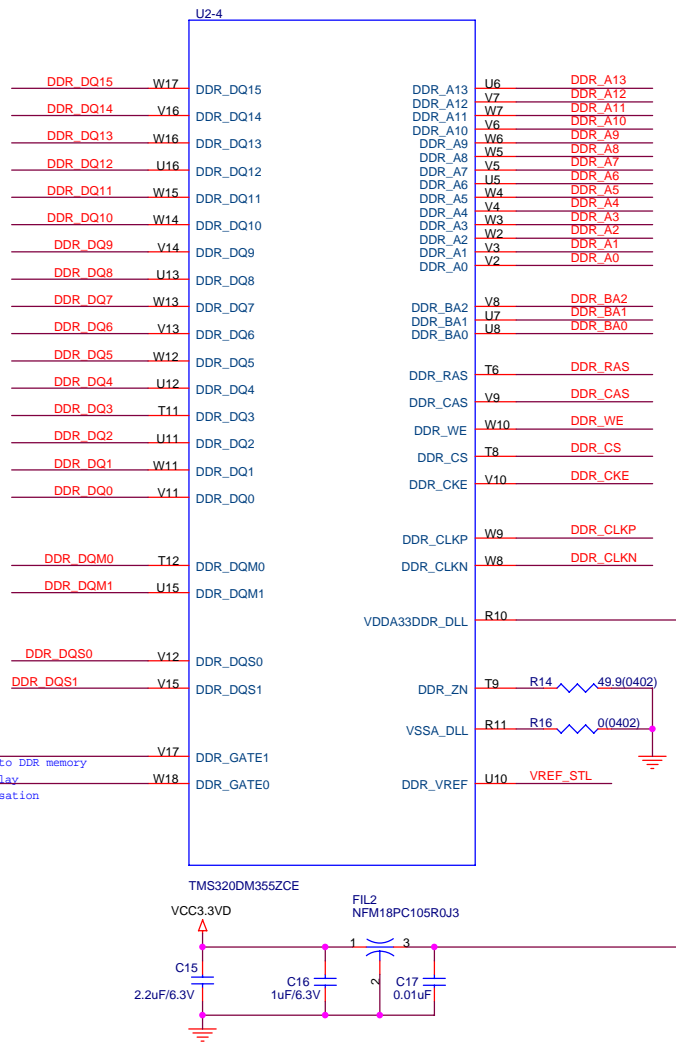
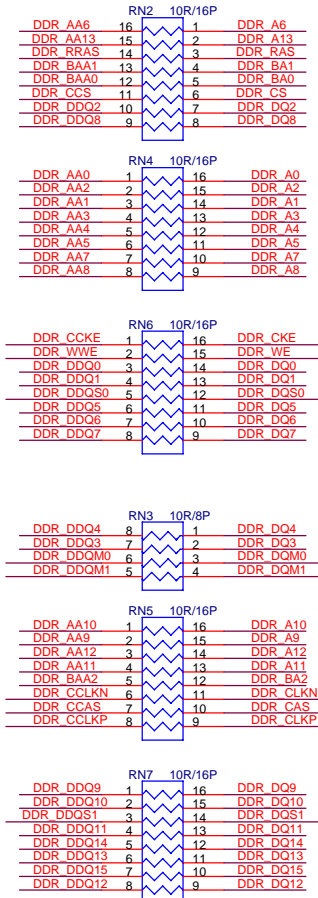
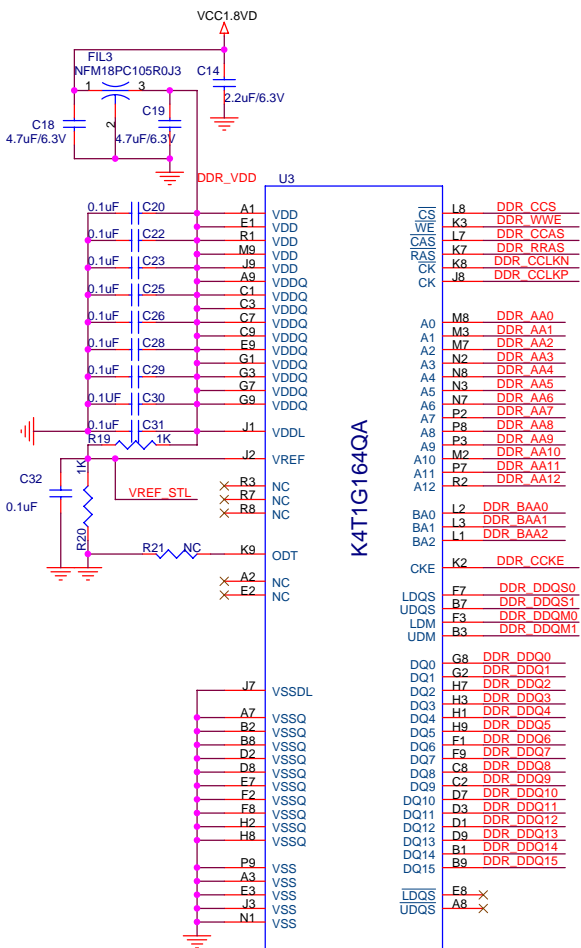


SPI1_SDENA / GIO11 → E13 → SPI1_SEN → GIO11 10
 SPI1_SCLK / GIO10 → C13 → SPI1_SCLK → GIO10 12
 SPI1_SDI / GIO9 → A13 → SPI1_SDI → GIO9 12
 SPI1_SDO / GIO8 → E12 → SPI1_SDO → GIO8 10

Change Notes:
 1. Add LED2 and R122 in Version 1.3
 2. Add LED3 and R123 in Version 1.3



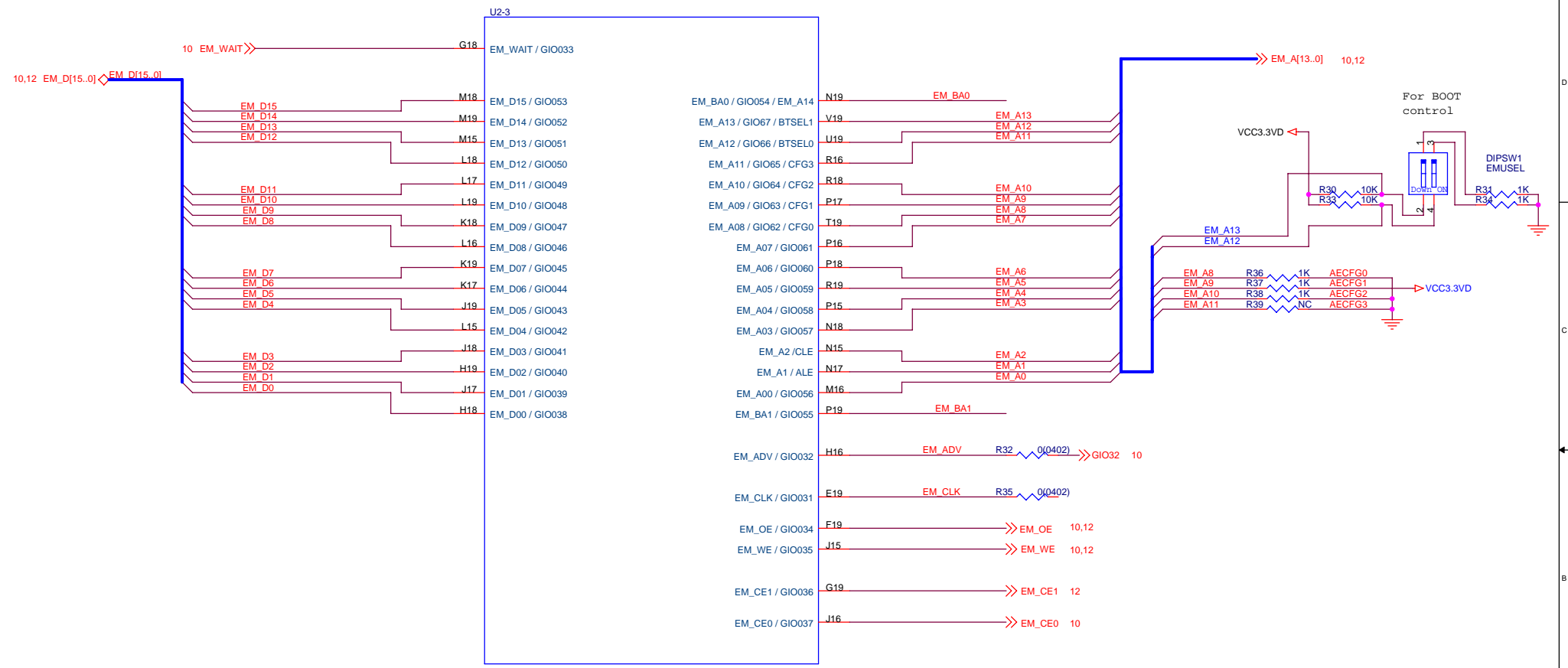
LEOPARD IMAGING INC			
Title: DM355 LEOPARD BOARD			
Page Contents: DM355 SERIAL I/O			
Size: B	DWG NO	0001	Revision: 1.5
Date: Thursday, February 04, 2010	Sheet 2 of 15		



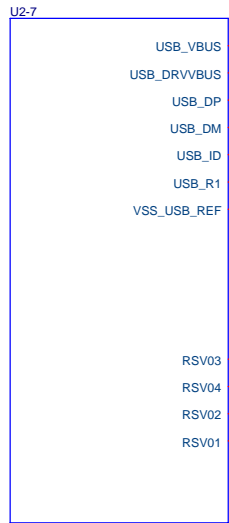
Trace to DDR memory
for delay compensation

This net is equal to the DDR_CLKP (or DDR_CLKN)
plus
the length of DDR_DQXX Average Trace length

LEOPARD IMAGING INC			
Title: DM355 LEOPARD BOARD			
Page Contents: DM355 DDR INTERFACE			
Size: B	DWG NO	0001	Revision: 1.5
Date: Thursday, February 04, 2010	Sheet 3 of 15		

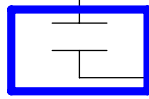
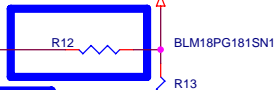


LEOPARD IMAGING INC			
Title: DM355 LEOPARD BOARD			
Page Contents: DM355 EMIF			
Size: B	DWG NO	0001	Revision: 1.5
Date:	Thursday, February 04, 2010	Sheet 4 of	15



TMS320DM355ZCE

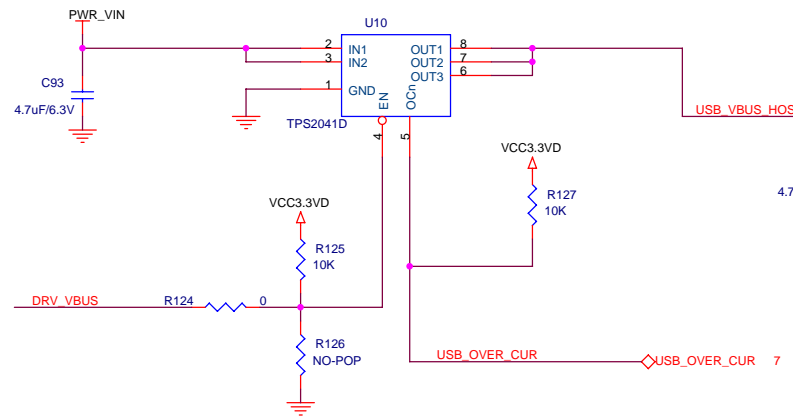
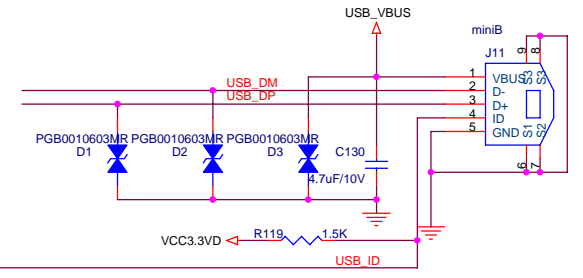
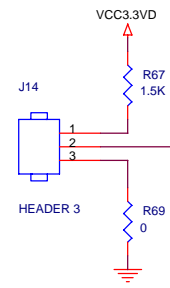
CHANGE R12 FROM 1KOHM TO INDUCTOR IN VER1.5



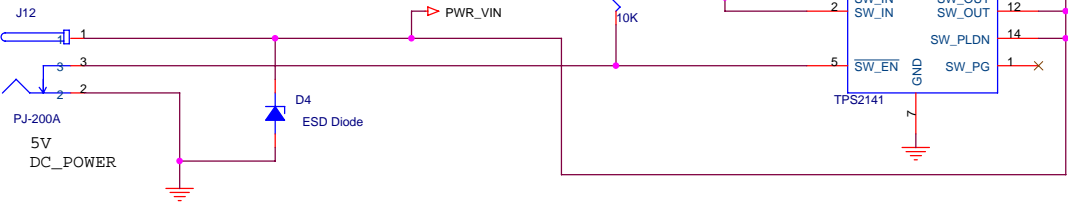
PUT 0.1uF CAP IF NECESSARY

PUT JUMPER WIRE TO GOURND IN VER1.5

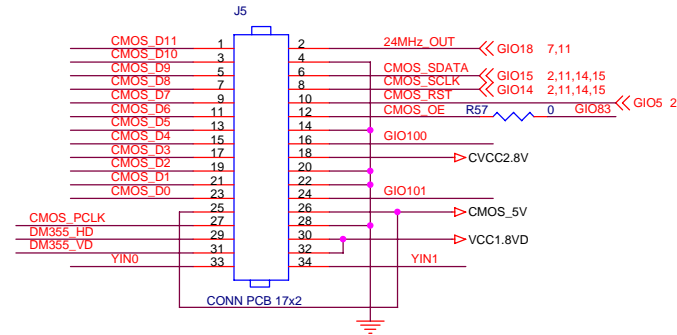
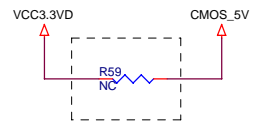
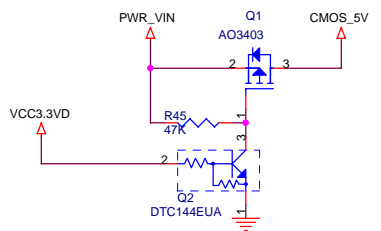
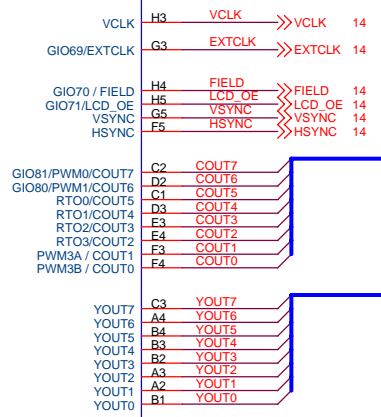
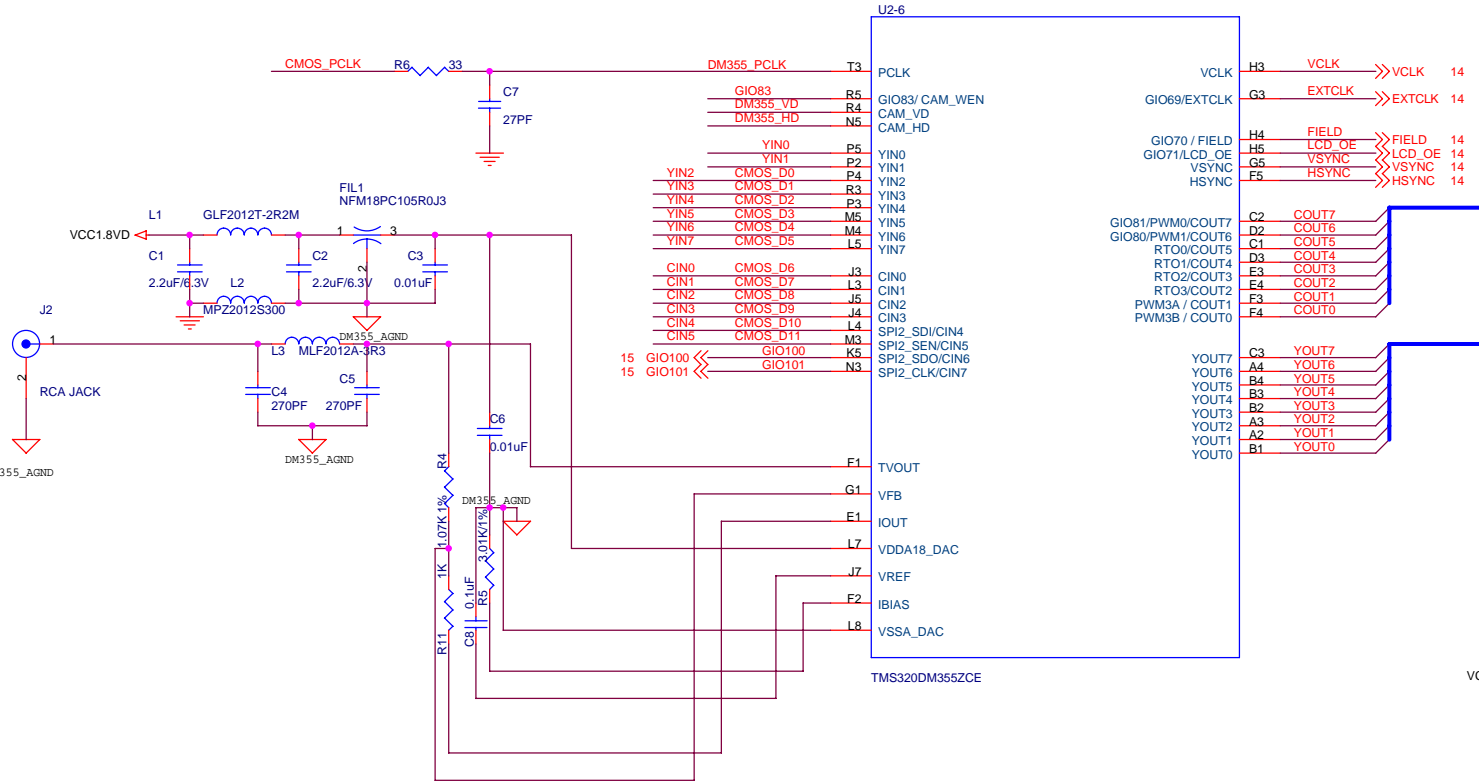
Default: Jumper between PIN#1 and PIN#2



USB Host Mode:
 - Install Jumper on J1
 - Jumper between PIN2 and Pin3 on J4

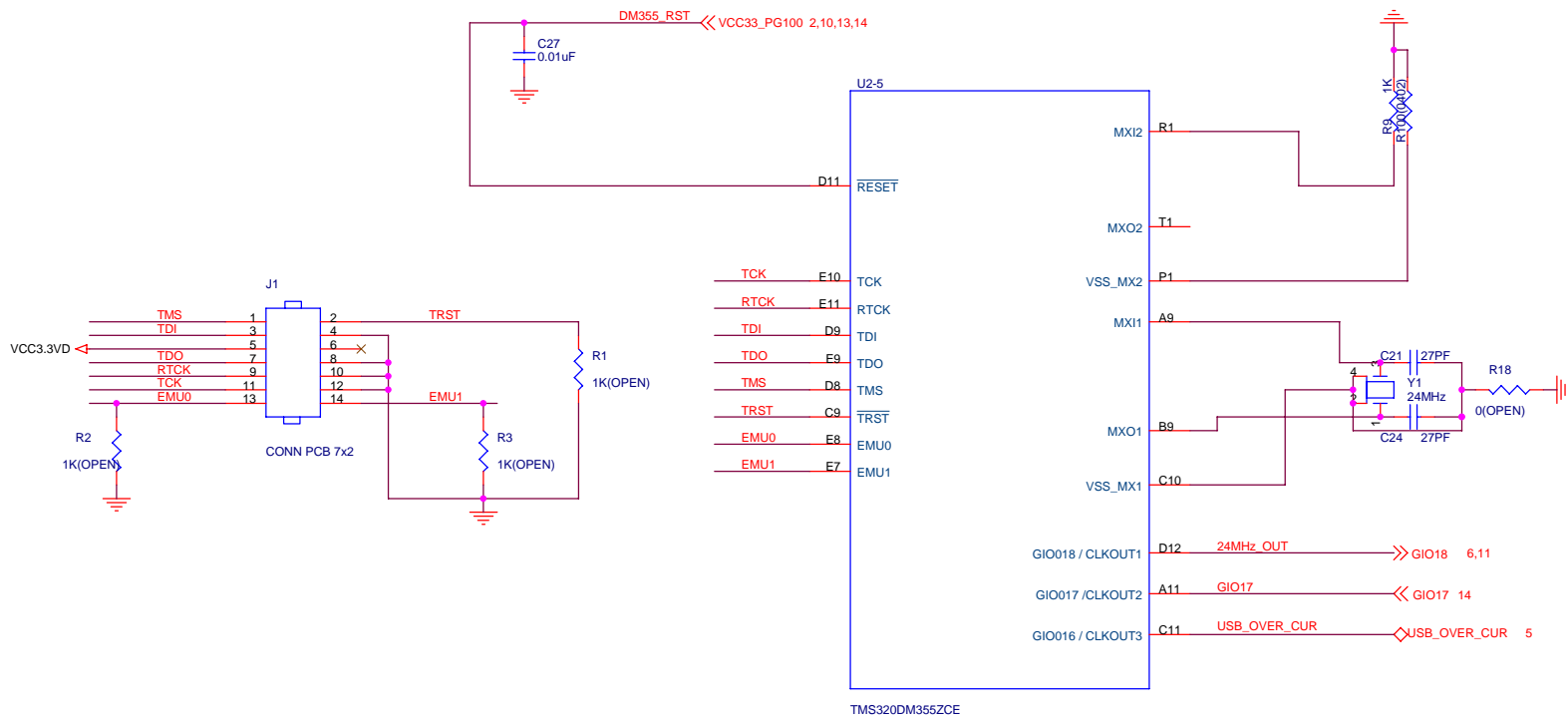


LEOPARD IMAGING INC			
Title: DM355 LEOPARD BOARD			
Page Contents: DM355 USB			
Size: B	DWG NO	0001	Revision: 1.5
Date: Thursday, February 04, 2010	Sheet 5 of 15		

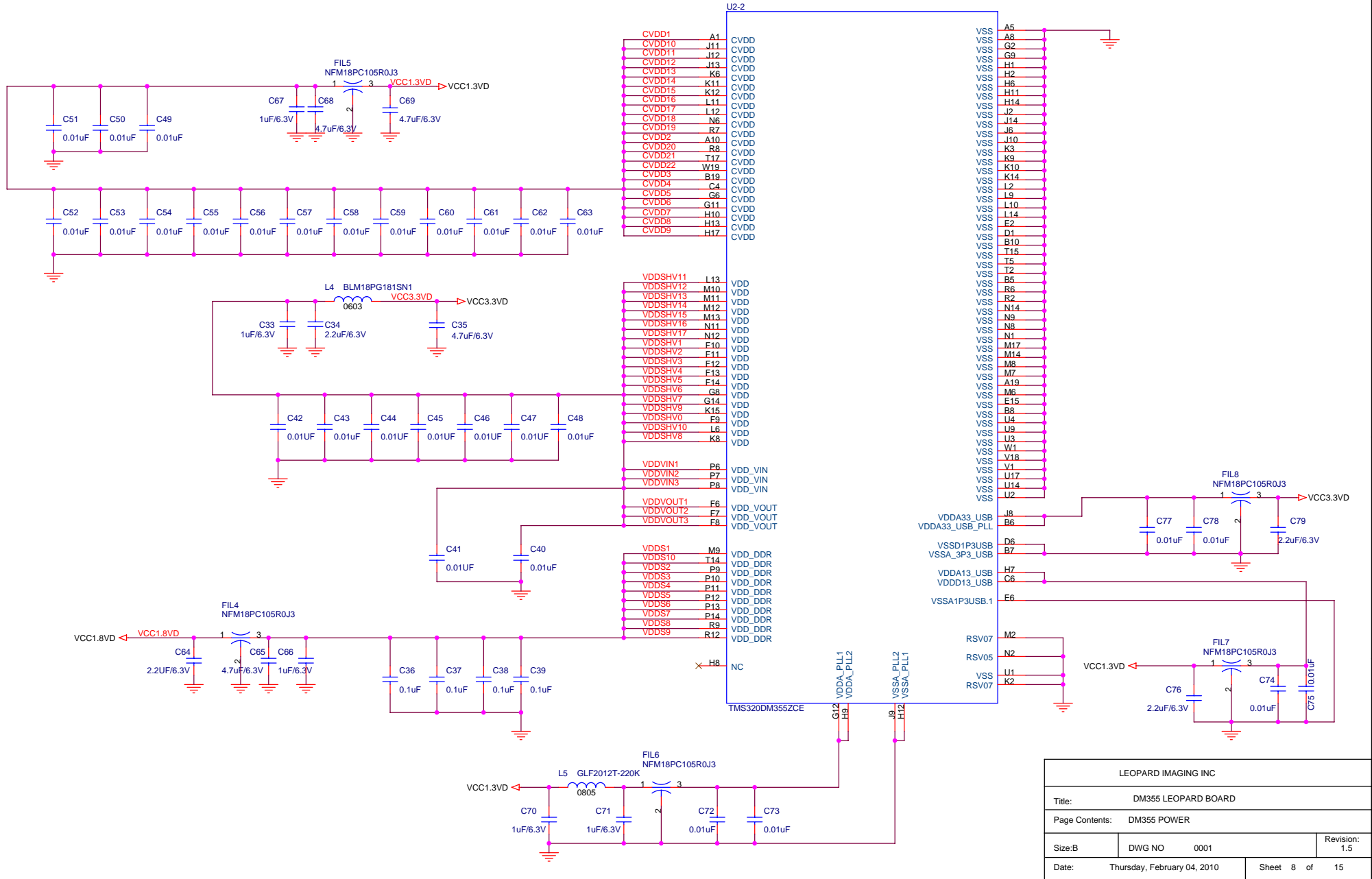


Change Notes:
 1. Change Pin33 from GND to YIN0
 2. Change Pin34 from GND to YIN1

LEOPARD IMAGING INC			
Title: DM355 LEOPARD BOARD			
Page Contents: DM355 VIDEO			
Size: B	DWG NO	0001	Revision: 1.5
Date:	Thursday, February 04, 2010	Sheet 6 of	15



LEOPARD IMAGING INC			
Title: DM355 LEOPARD BOARD			
Page Contents: DM355 JTAG,RESET,CLOCKS			
Size: B	DWG NO	0001	Revision: 1.5
Date:	Thursday, February 04, 2010	Sheet 7 of	15



LEOPARD IMAGING INC			
Title: DM355 LEOPARD BOARD			
Page Contents: DM355 POWER			
Size: B	DWG NO	0001	Revision: 1.5
Date: Thursday, February 04, 2010	Sheet 8 of		15

FDC1 ○ FIDUCIAL
FIDUCIAL

FDC2 ○ FIDUCIAL
FIDUCIAL

FDC3 ○ FIDUCIAL
FIDUCIAL

FDC4 ○ FIDUCIAL
FIDUCIAL

MH1 ○ MHOLE
MHOLE

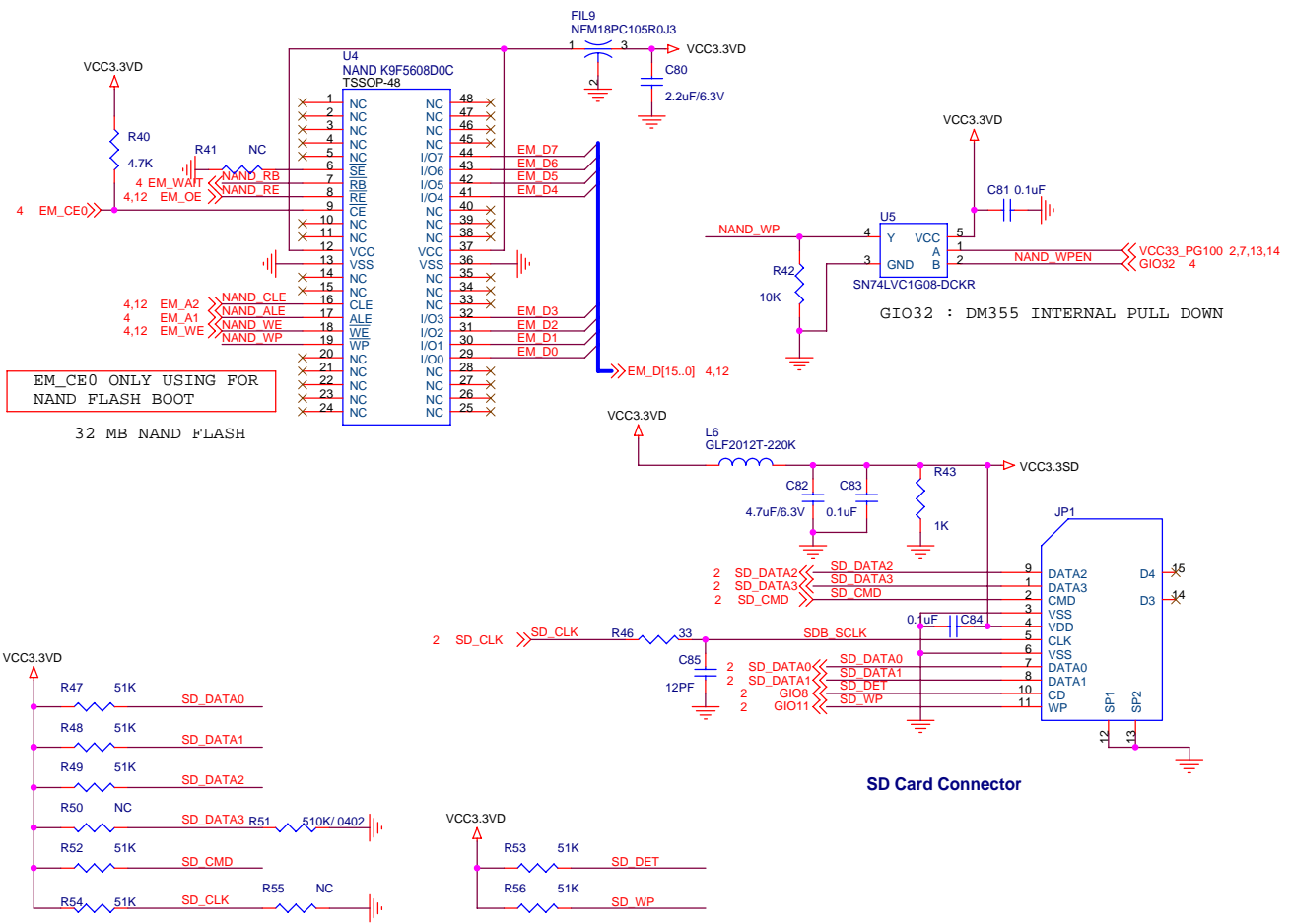
MH2 ○ MHOLE
MHOLE

MH3 ○ MHOLE
MHOLE

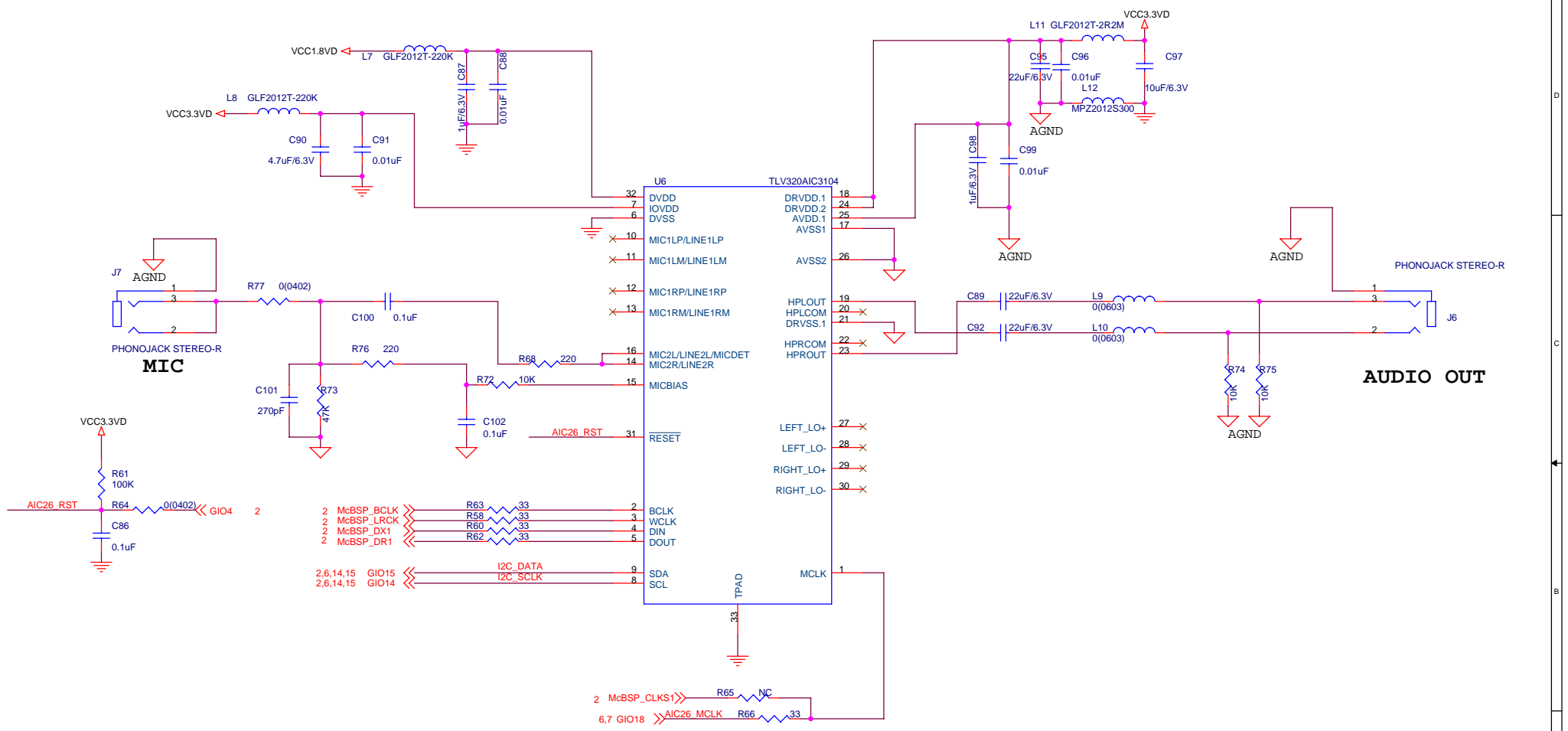
MH4 ○ MHOLE
MHOLE

MH5 ○ MHOLE
MHOLE

LEOPARD IMAGING INC			
Title:		DM355 LEOPARD BOARD	
Page Contents:		DM355 MISC	
Size:	DWG NO	0001	Revision: 1.5
Date:	Thursday, February 04, 2010		Sheet 9 of 15



LEOPARD IMAGING INC			
Title: DM355 LEOPARD BOARD			
Page Contents: NAND FLASH & SD CARD			
Size: B	DWG NO	0001	Revision: 1.5
Date: Thursday, February 04, 2010	Sheet 10 of		15

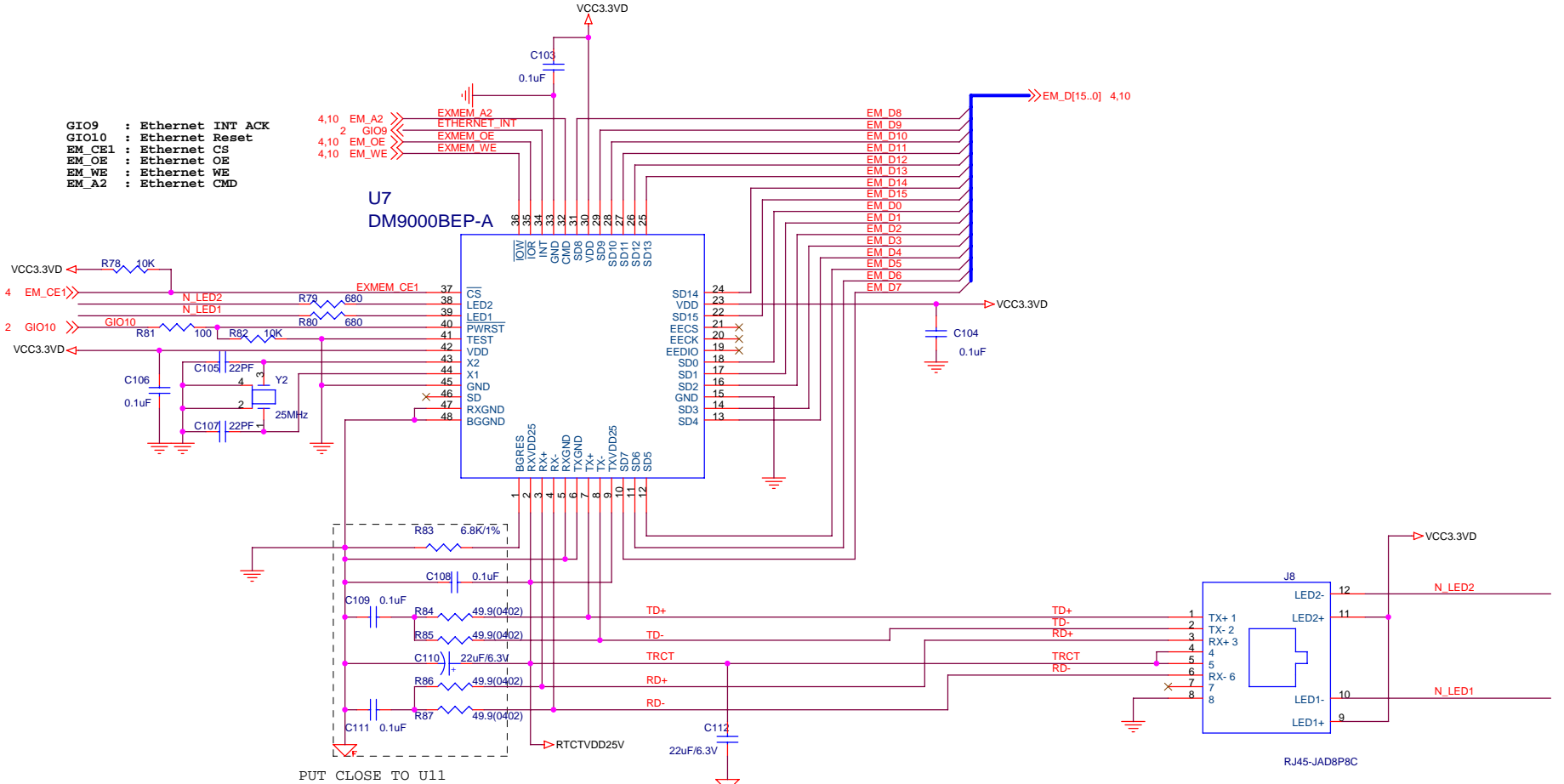


LEOPARD IMAGING INC			
Title: DM355 LEOPARD BOARD			
Page Contents: AUDIO			
Size: B	DWG NO	0001	Revision: 1.5
Date: Thursday, February 04, 2010	Sheet 11 of 15		

GIO9 : Ethernet INT ACK
 GIO10 : Ethernet Reset
 EM_CE1 : Ethernet CS
 EM_OE : Ethernet OE
 EM_WE : Ethernet WE
 EM_A2 : Ethernet CMD

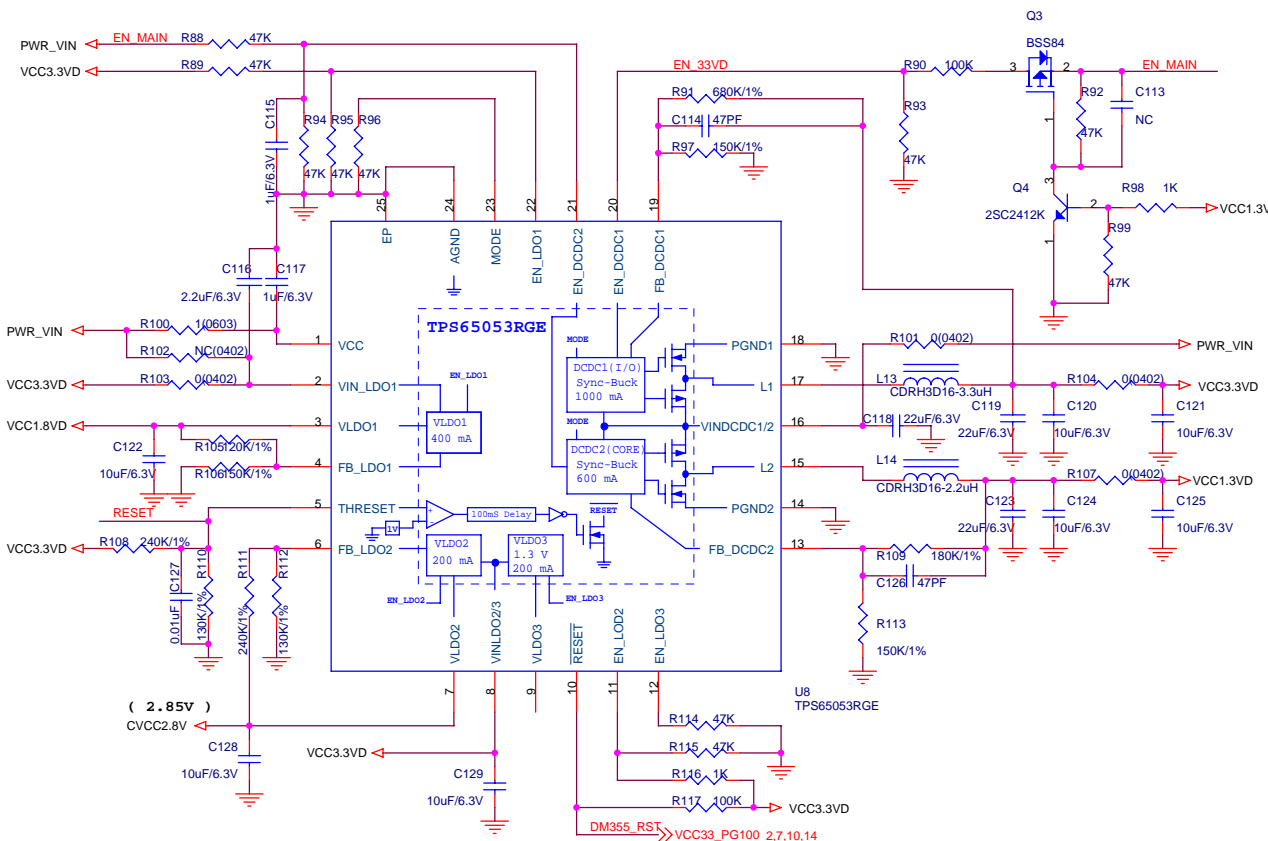
4,10 EM_A2 >> EXMEM_A2
 2 GIO9 >> ETHERNET_INT
 4,10 EM_OE >> EXMEM_OE
 4,10 EM_WE >> EXMEM_WE

U7
DM9000BEP-A

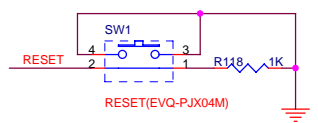
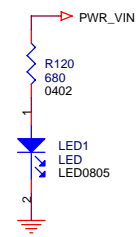
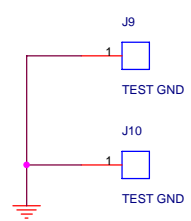


PUT CLOSE TO U11

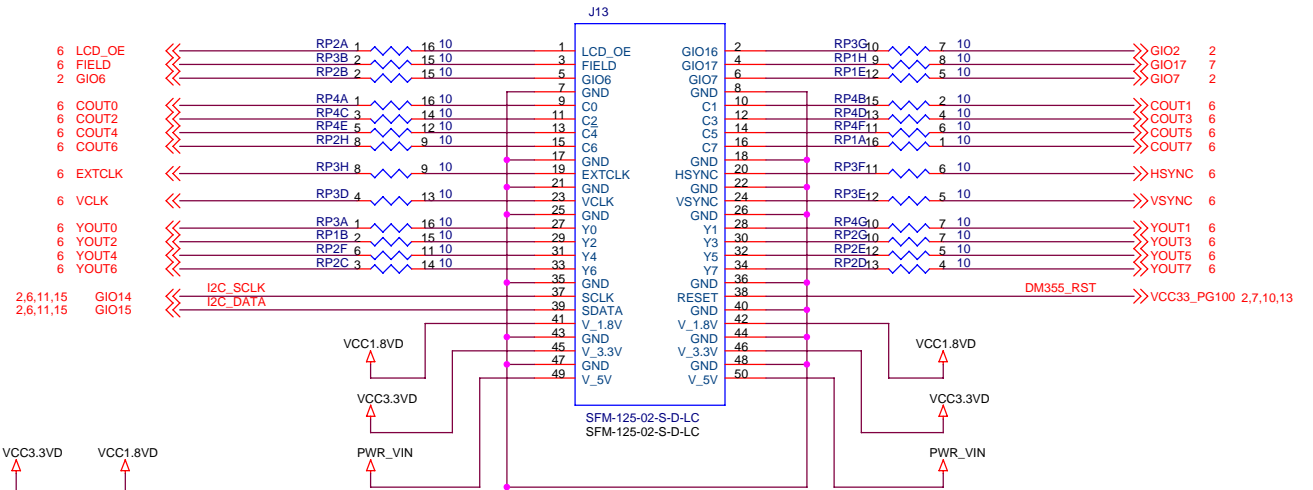
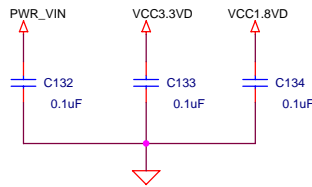
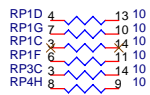
LEOPARD IMAGING INC			
Title: DM355 LEOPARD BOARD			
Page Contents: ETHERNET			
Size: B	DWG NO	0001	Revision: 1.5
Date:	Thursday, February 04, 2010	Sheet	12 of 15



(Detected Voltage : 2.85V)

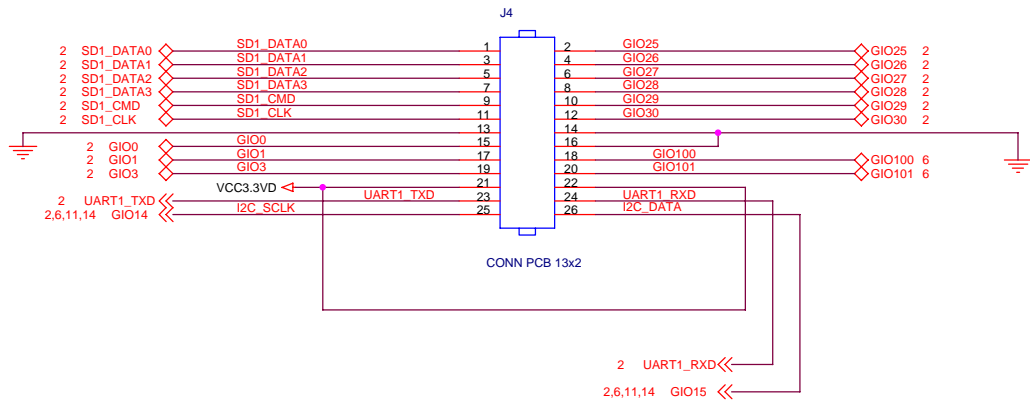


LEOPARD IMAGING INC			
Title: DM355 LEOPARD BOARD			
Page Contents: SYSTEM POWER			
Size: B	DWG NO	0001	Revision: 1.5
Date: Thursday, February 04, 2010	Sheet 13 of		15



LCD Interface

LEOPARD IMAGING INC			
Title: DM355 LEOPARD BOARD			
Page Contents: LCD INTERFACE			
Size: B	DWG NO	0001	Revision: 1.5
Date:	Thursday, February 04, 2010	Sheet	14 of 15



LEOPARD IMAGING INC			
Title: DM355 LEOPARD BOARD			
Page Contents: EXTERNAL I/O			
Size: B	DWG NO 0001	Revision: 1.5	
Date: Wednesday, January 27, 2010	Sheet 15 of	15	