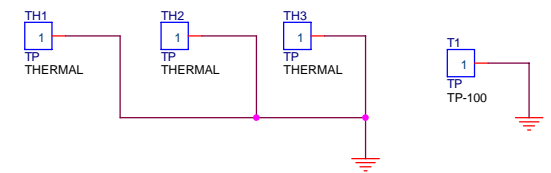
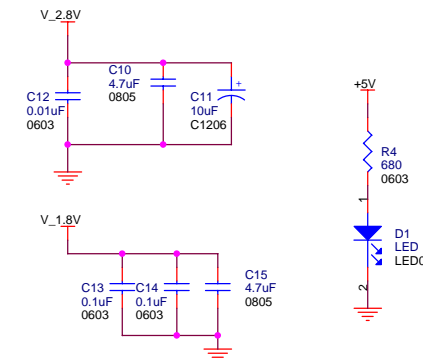
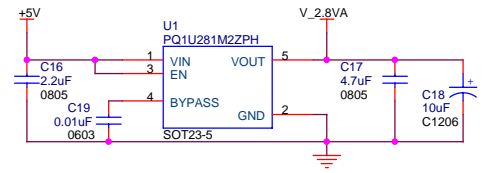
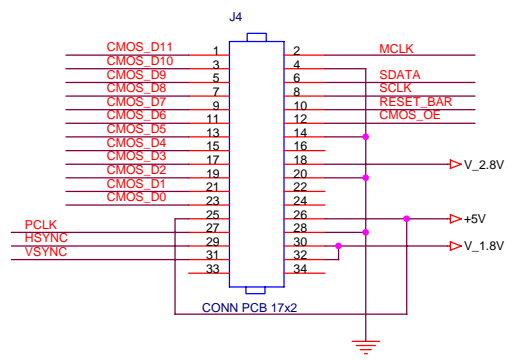
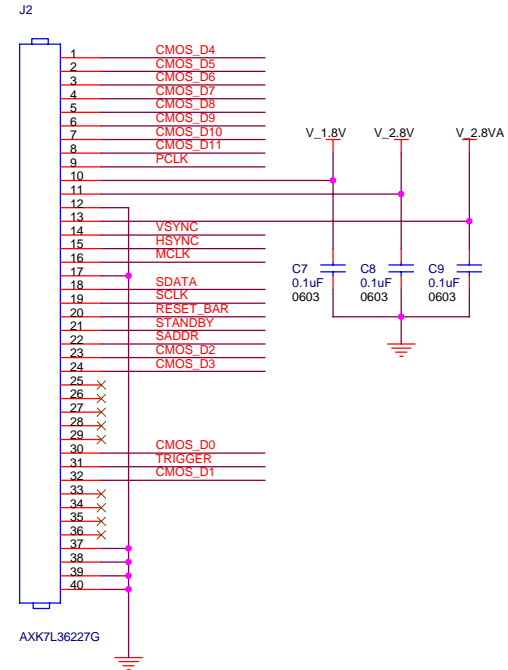
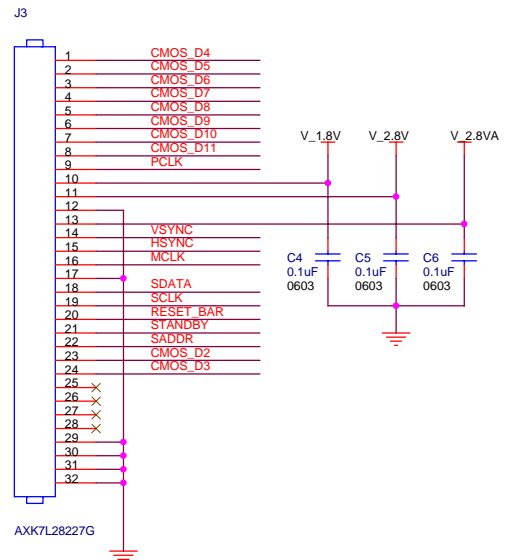


NOTE:
5M: JUMPER ON PIN 1 & 2



LEOPARD IMAGING INC		
Title Camera Module Board - LI-MOD02		
Size B	Document Number	Rev 1.2
Date: Monday, November 30, 2009	Sheet 1	of 1