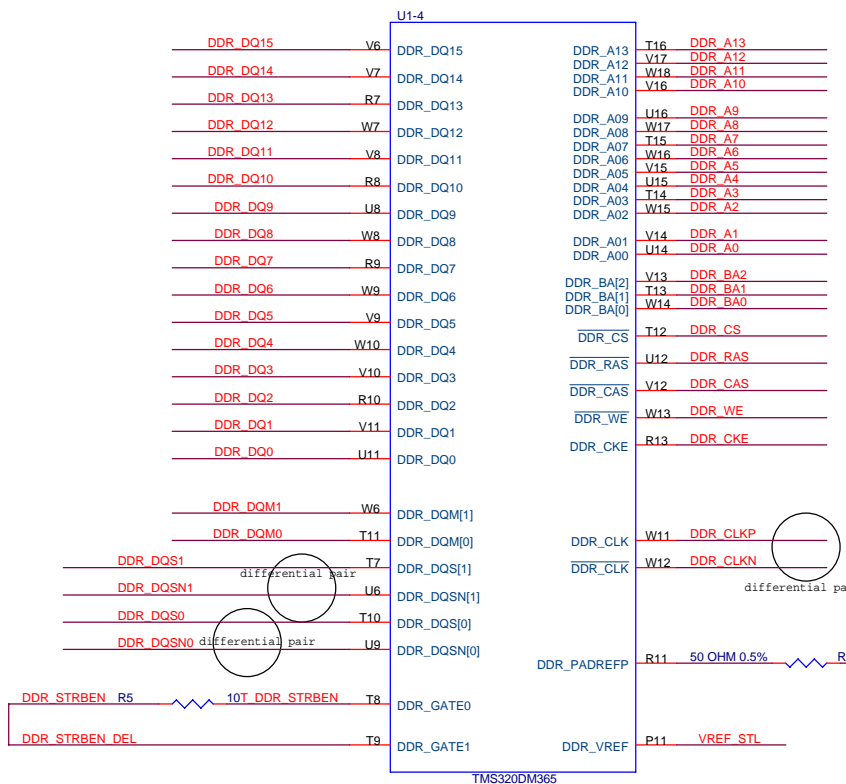
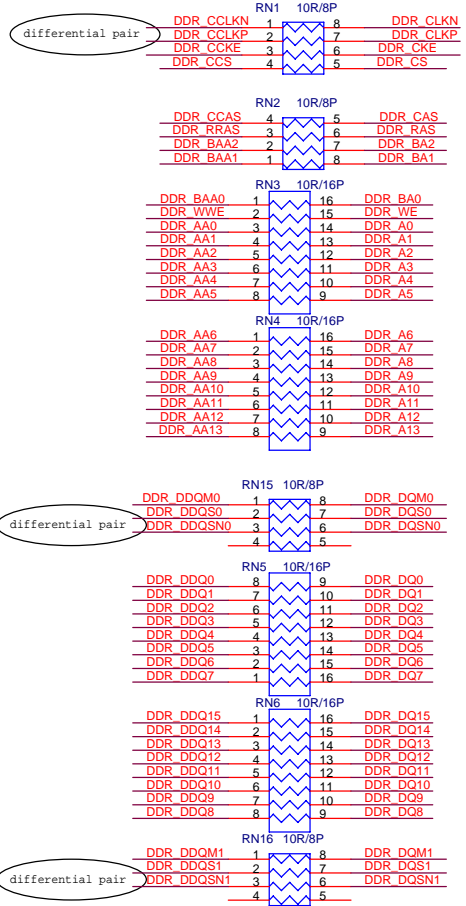
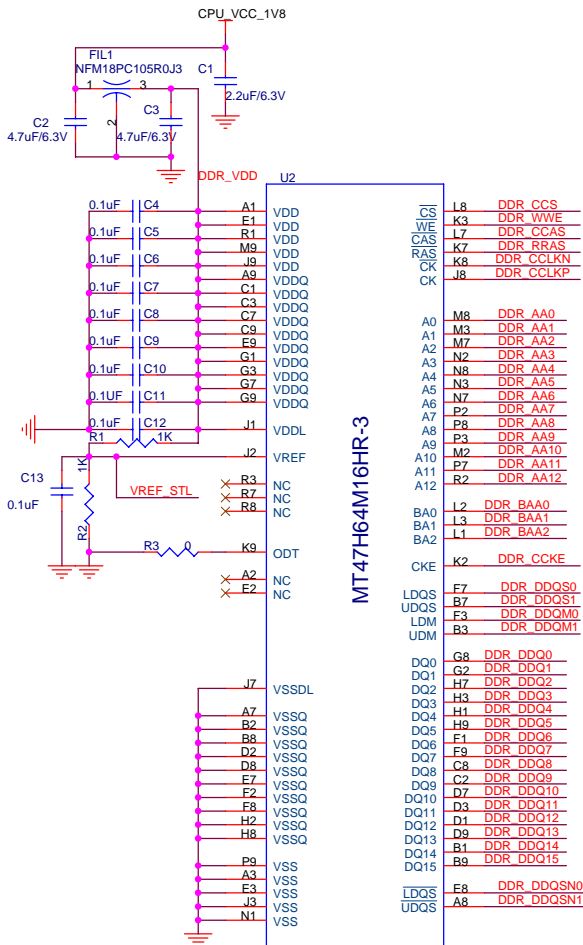


REV	DESCRIPTION	DATE	APPROVED
1.0	Initial schematic	06/01/09	
1.3		12/08/09	

SCHMATIC CONTENTS

SHEET01 - TITLE  
 SHEET02 - DM365 DDR2 INTERFACE  
 SHEET03 - DM365 EMIF/BOOT MODES/CFG MODES  
 SHEET04 - DM365 USB  
 SHEET05 - DM365 VIDEO PORT IN  
 SHEET06 - DM365 VIDEO PORT OUT  
 SHEET07 - DM365 ANALOG VIDEO OUT  
 SHEET08 - DM365 SD/MMC/MS IF  
 SHEET09 - DM365 I/O  
 SHEET10 - DM365 JTAG,CLKS,RESET  
 SHEET11 - DM365 ADC  
 SHEET12 - DM365 MIC/SPEAKER  
 SHEET13 - DM365 POWER PINS  
 SHEET14 - DM365 POWER CONTROL  
 SHEET15 - DM365 GROUND PINS  
 SHEET16 - DM365 DECOUPLING CAPS  
 SHEET17 - NAND FLASH  
 SHEET18 - VIDEO COMPONENT OUT  
 SHEET19 - AIC3104  
 SHEET20 - ETHERNET PHY  
 SHEET21 - POWER IN

LEOPARD IMAGING INC			
Title: LeopardBoard 365			
Page Contents: TITLE SHEET			
Size: B	DWG NO	Revision: 1.3	
Date: Friday, January 01, 2010	Sheet 1 of 21		

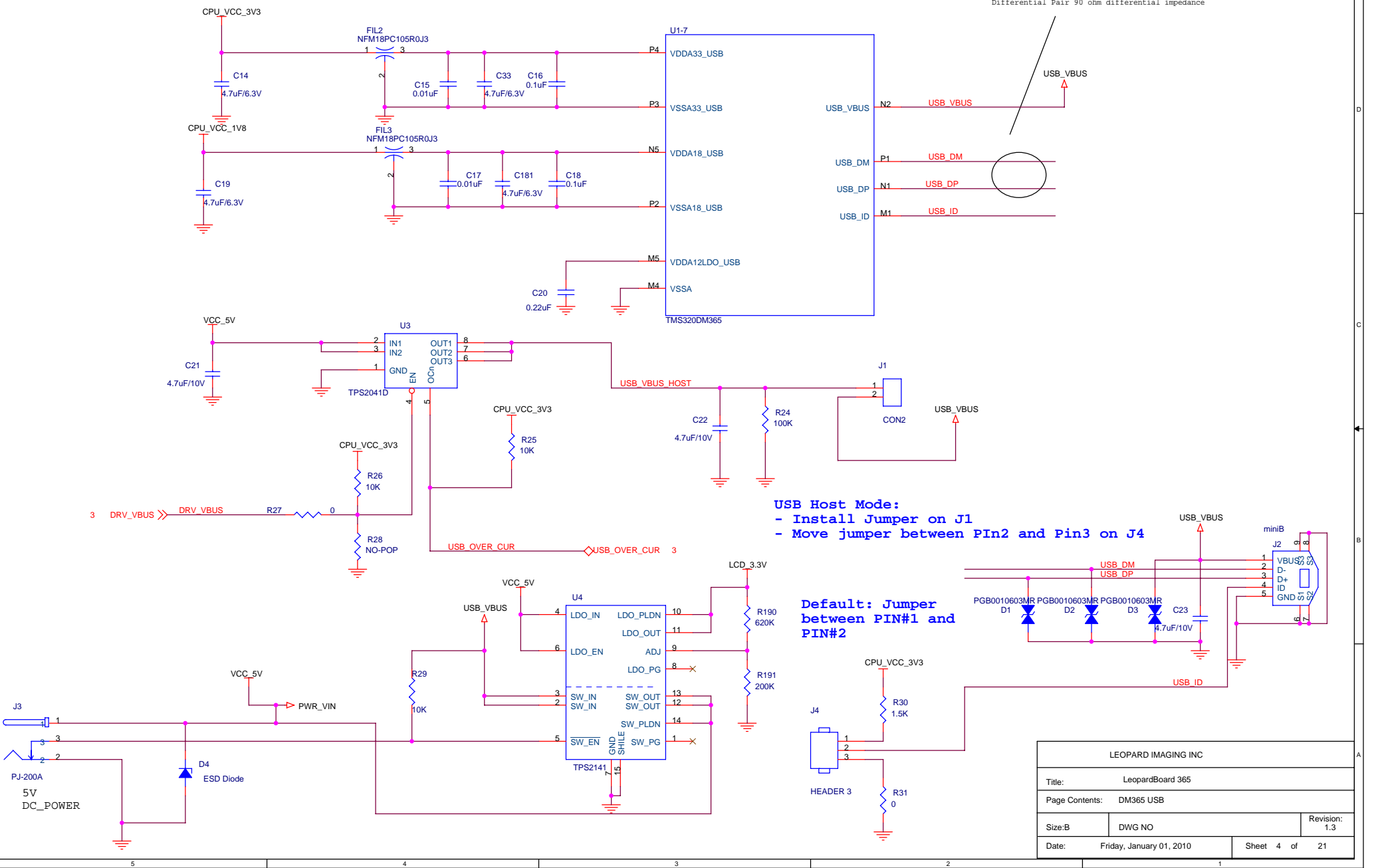


DDR\_STRBEN is trace to DDR memory for delay compensation

This net is equal to the DDR\_CLKP ( or DDR\_CLKN ) plus the length of DDR\_DQXX Average Trace length

LEOPARD IMAGING INC			
Title: LeopardBoard 365			
Page Contents: DM365 DDR INTERFACE			
Size: B	DWG NO	Revision: 1.3	
Date: Friday, January 01, 2010	Sheet 2 of		21

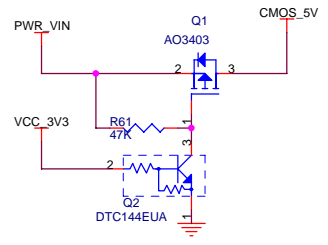
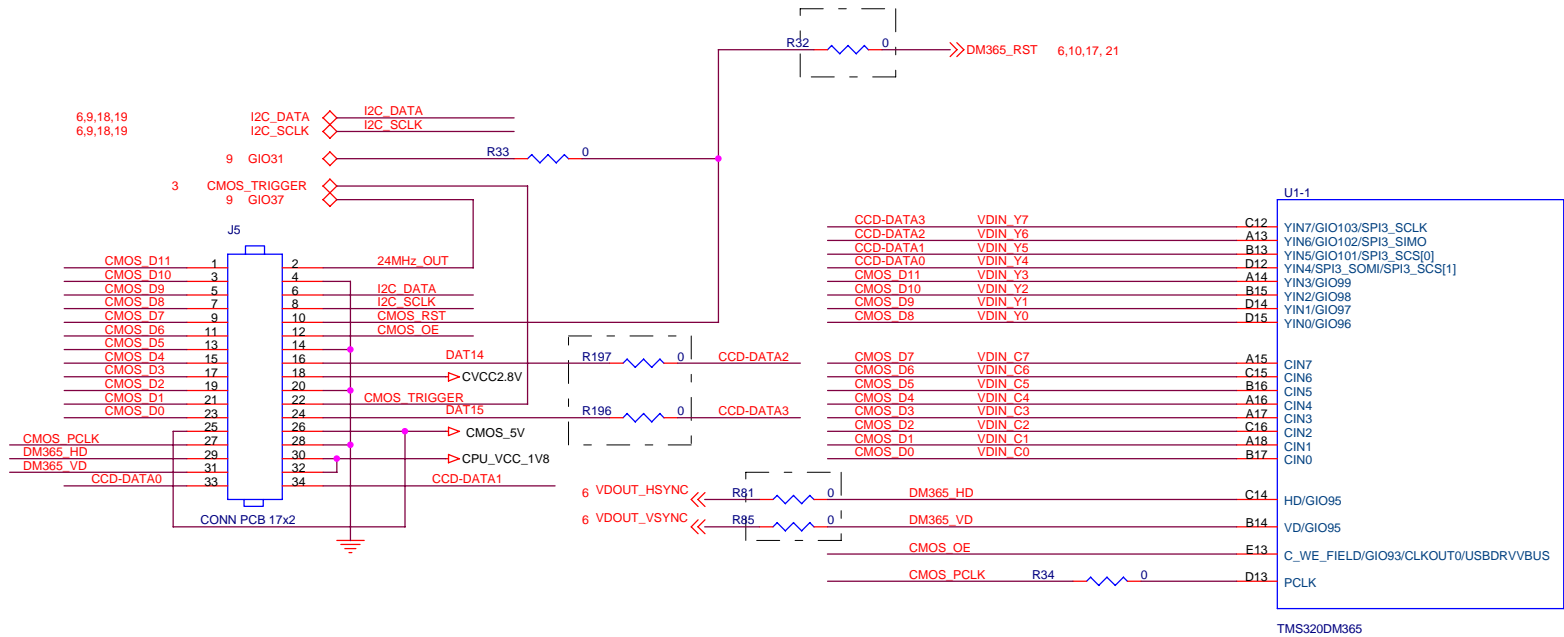




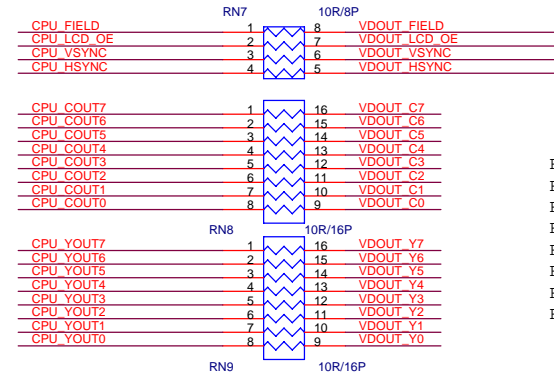
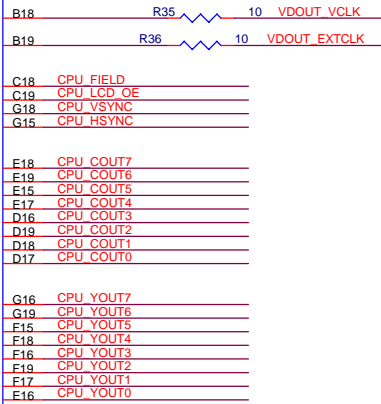
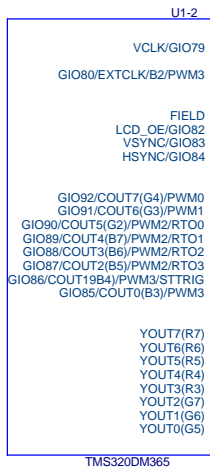
**USB Host Mode:**  
 - Install Jumper on J1  
 - Move jumper between PIN#2 and PIN#3 on J4

**Default: Jumper between PIN#1 and PIN#2**

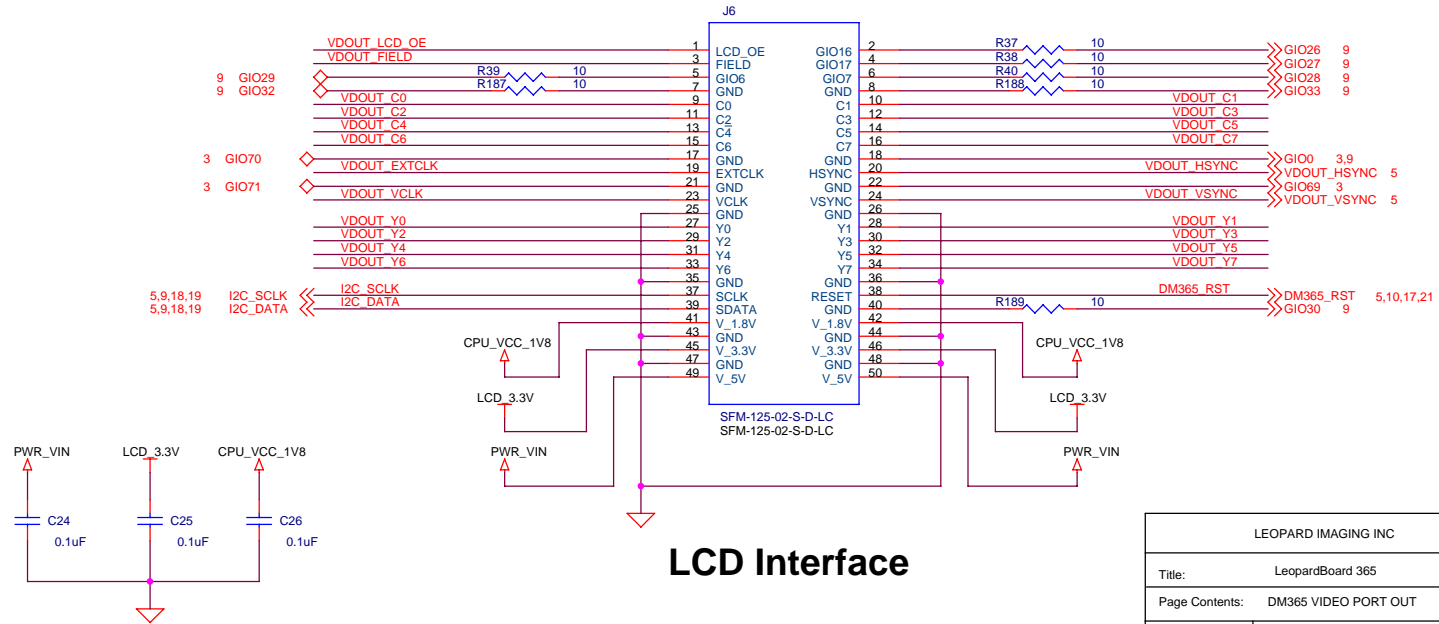
LEOPARD IMAGING INC			
Title: LeopardBoard 365			
Page Contents: DM365 USB			
Size: B	DWG NO	Revision: 1.3	
Date: Friday, January 01, 2010	Sheet 4 of 21		

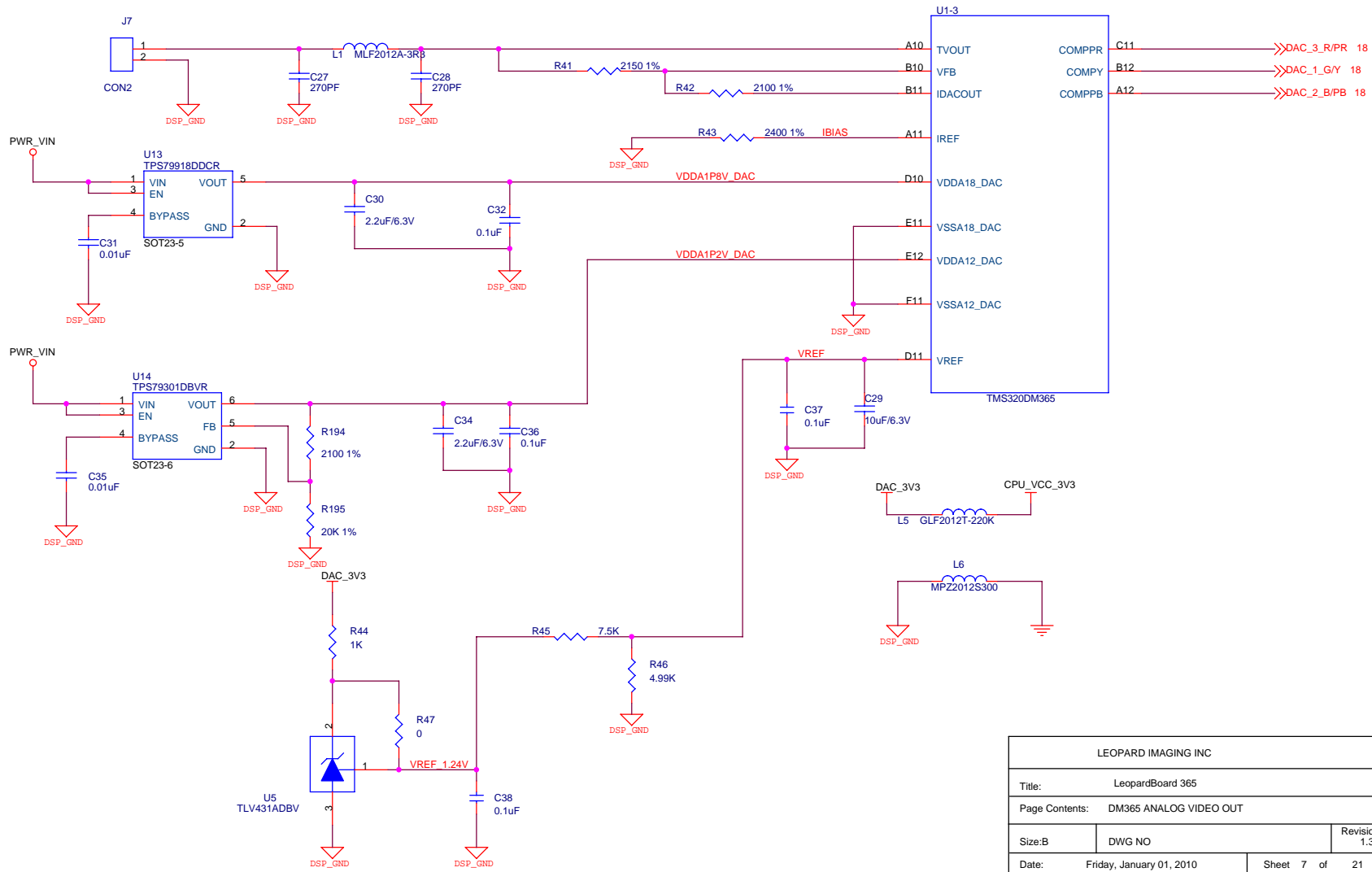


LEOPARD IMAGING INC			
Title: LeopardBoard 365			
Page Contents: DM365 VIDEO IN			
Size: B	DWG NO	Revision: 1.3	
Date: Friday, January 01, 2010	Sheet 5 of 21		

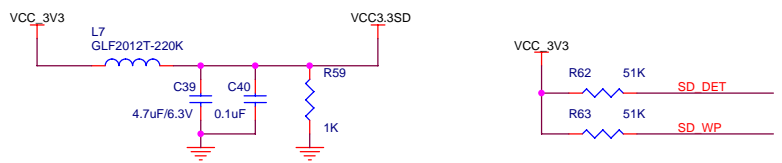
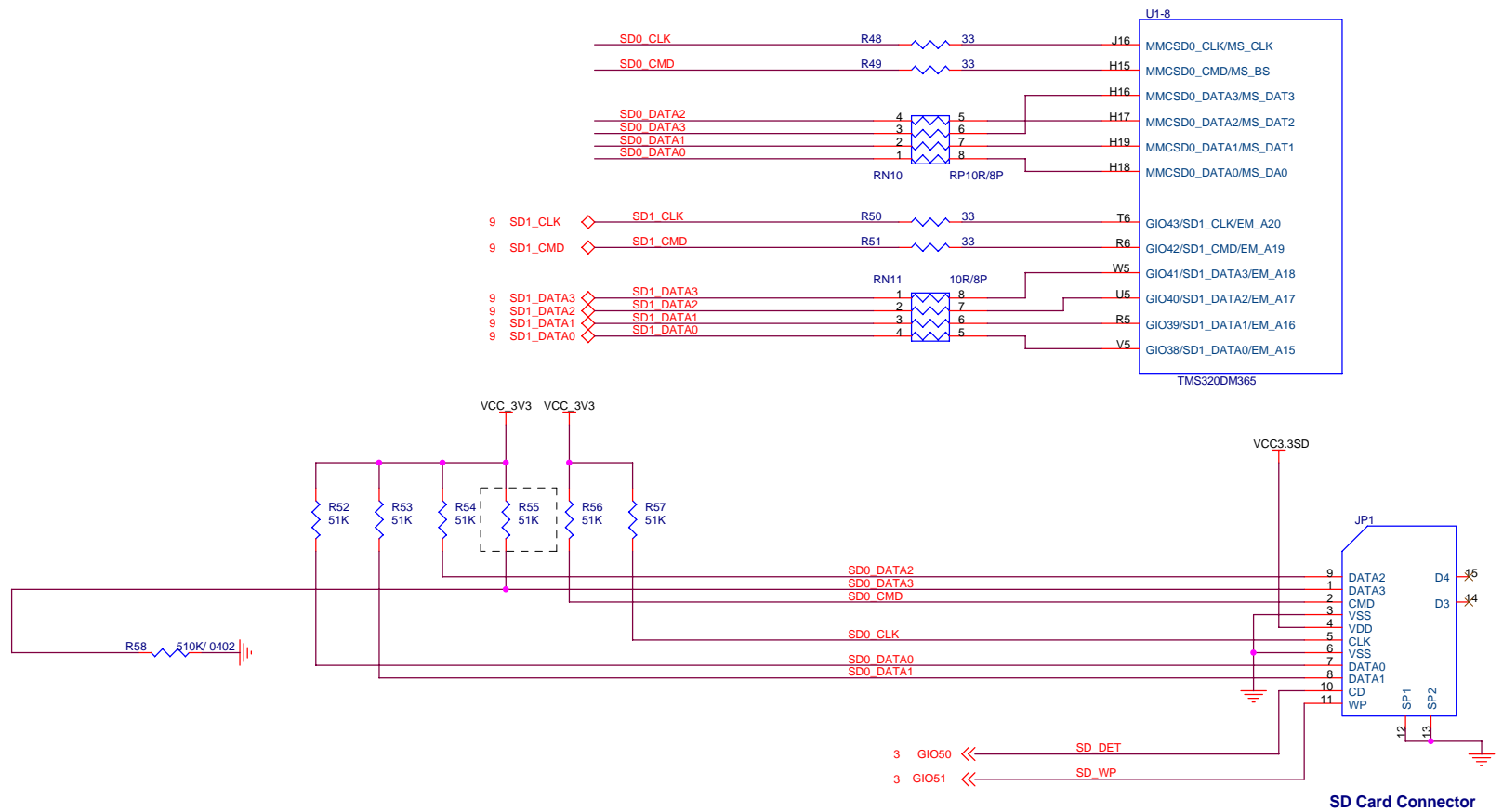


- |                  |                   |            |
|------------------|-------------------|------------|
| R0 - GIO32       | B0 - GIO27        | G0 - GIO29 |
| R1 - GIO33       | B1 - GIO28        | G1 - GIO30 |
| R2 - VDOUT_FIELD | B2 - VDOUT_EXTCLK | G2 - COUT5 |
| R3 - YOUT3       | B3 - COUT0        | G3 - COUT6 |
| R4 - YOUT4       | B4 - COUT1        | G4 - COUT7 |
| R5 - YOUT5       | B5 - COUT2        | G5 - YOUT0 |
| R6 - YOUT6       | B6 - COUT3        | G6 - YOUT1 |
| R7 - YOUT7       | B7 - COUT4        | G7 - YOUT2 |



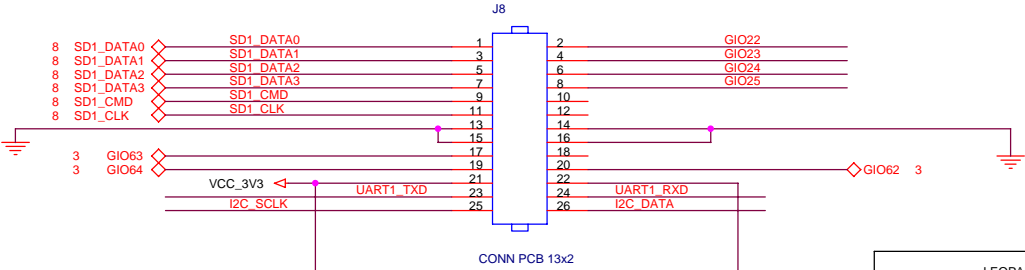
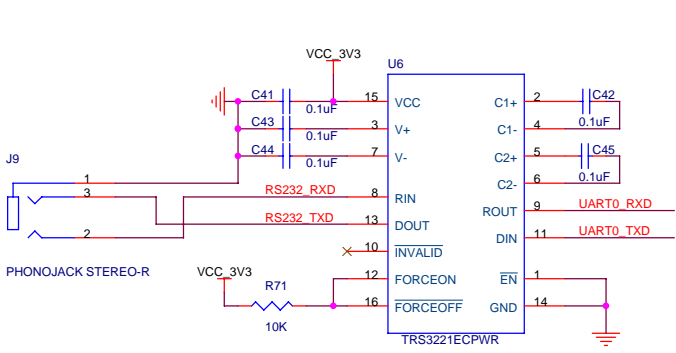
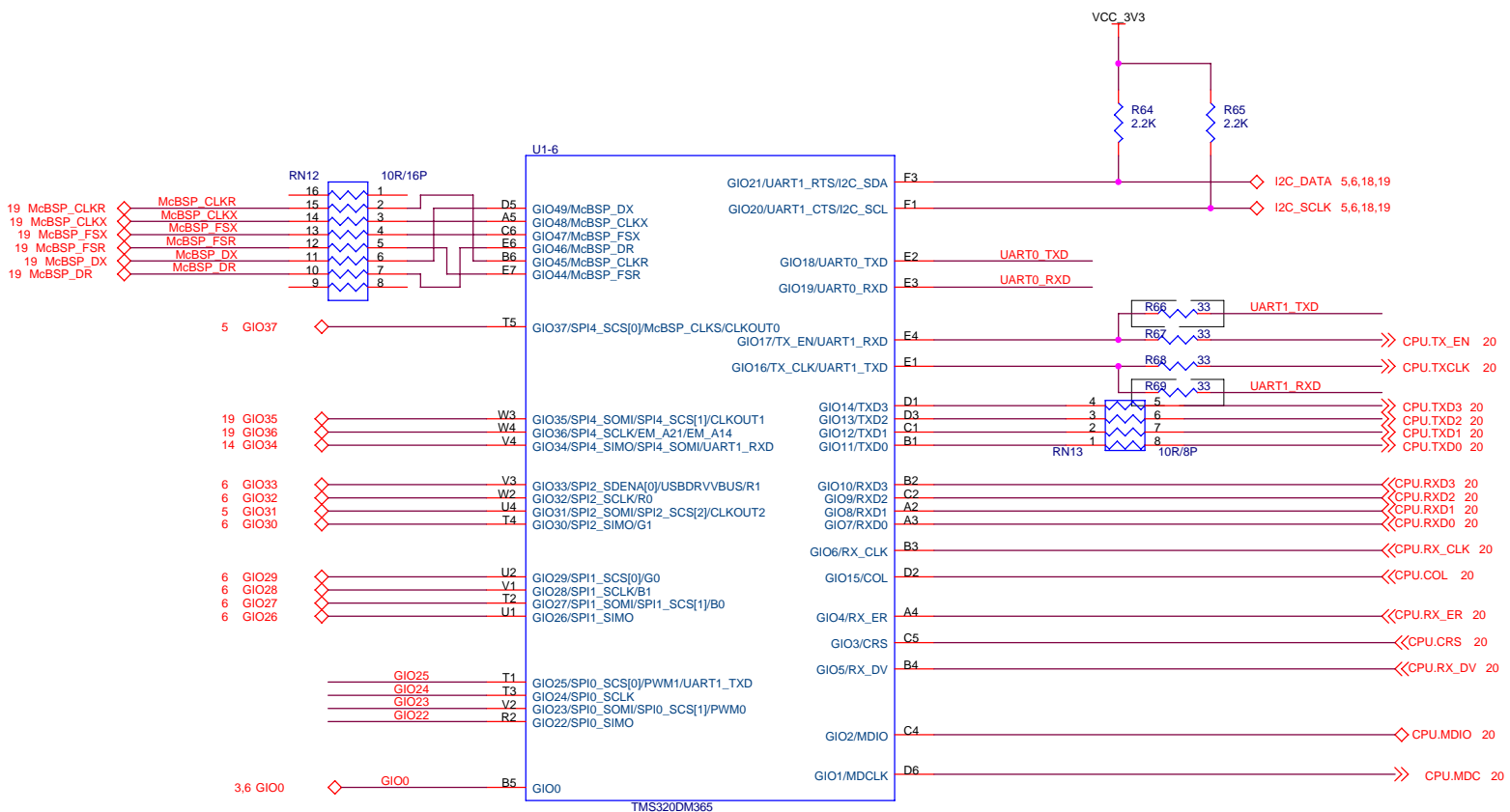


LEOPARD IMAGING INC			
Title: LeopardBoard 365			
Page Contents: DM365 ANALOG VIDEO OUT			
Size: B	DWG NO	Revision: 1.3	
Date: Friday, January 01, 2010	Sheet 7 of 21		

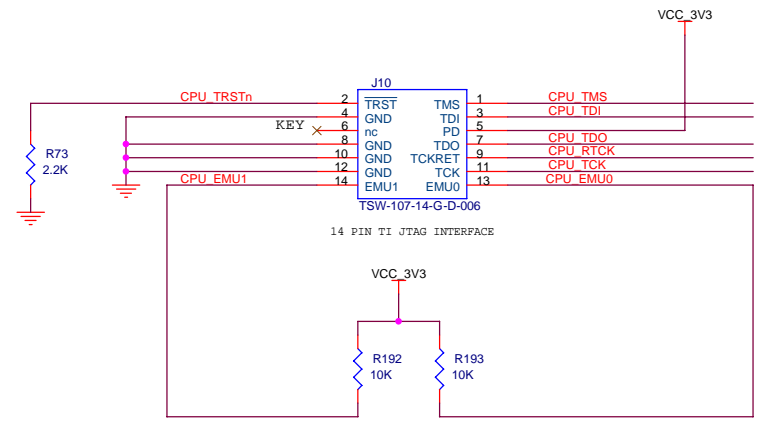
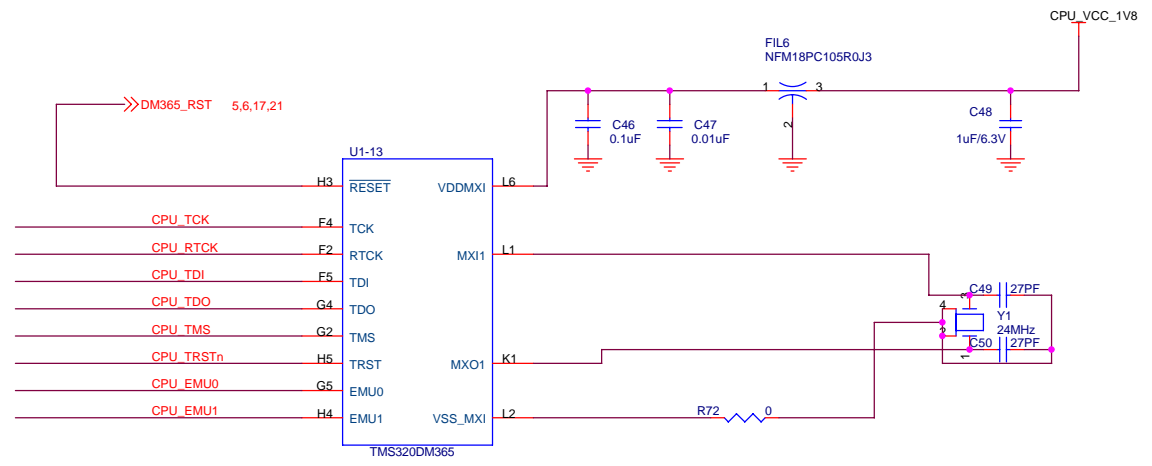


LEOPARD IMAGING INC			
Title: LeopardBoard 365			
Page Contents: DM365 SD/MMC/MS INTERFACE			
Size: B	DWG NO	Revision: 1.3	
Date: Friday, January 01, 2010	Sheet 8 of		21

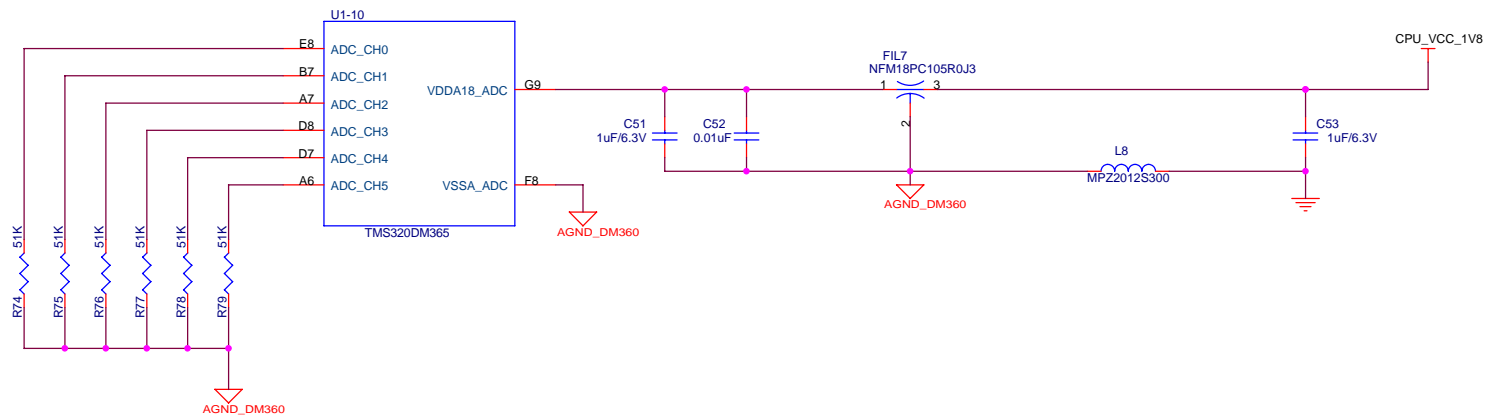




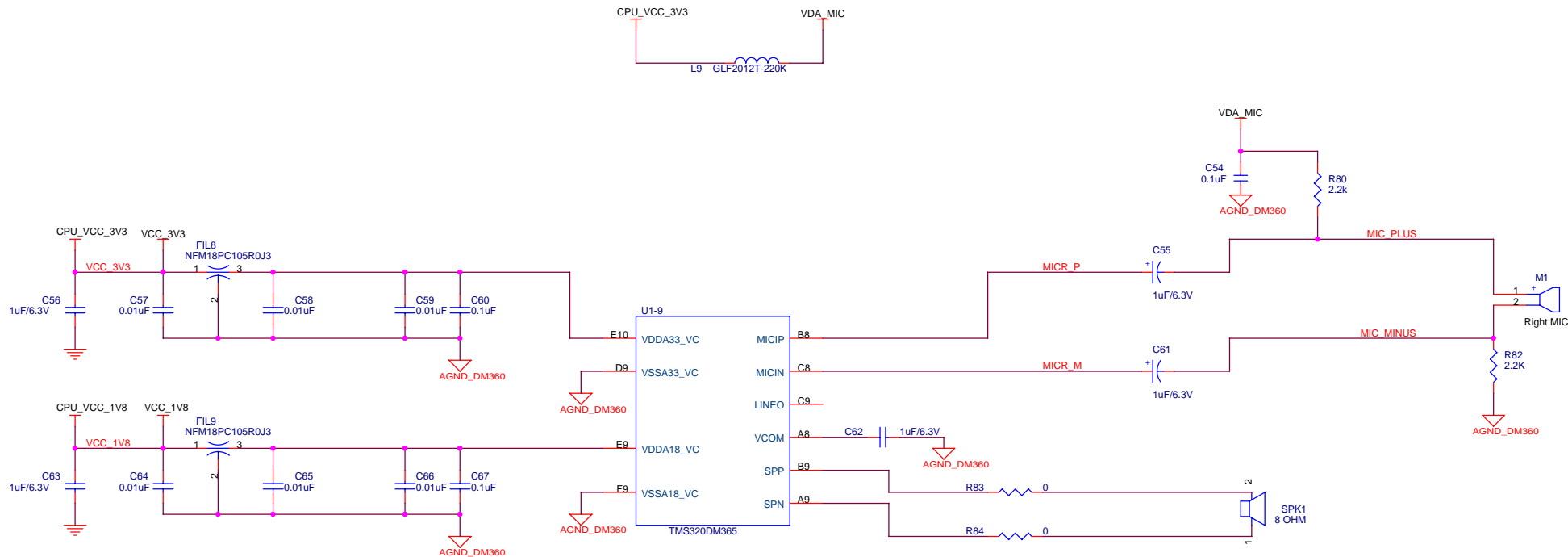
LEOPARD IMAGING INC			
Title: LeopardBoard 365			
Page Contents: DM365 I/O			
Size: B	DWG NO	Revision: 1.3	
Date: Friday, January 01, 2010	Sheet 9 of 21		



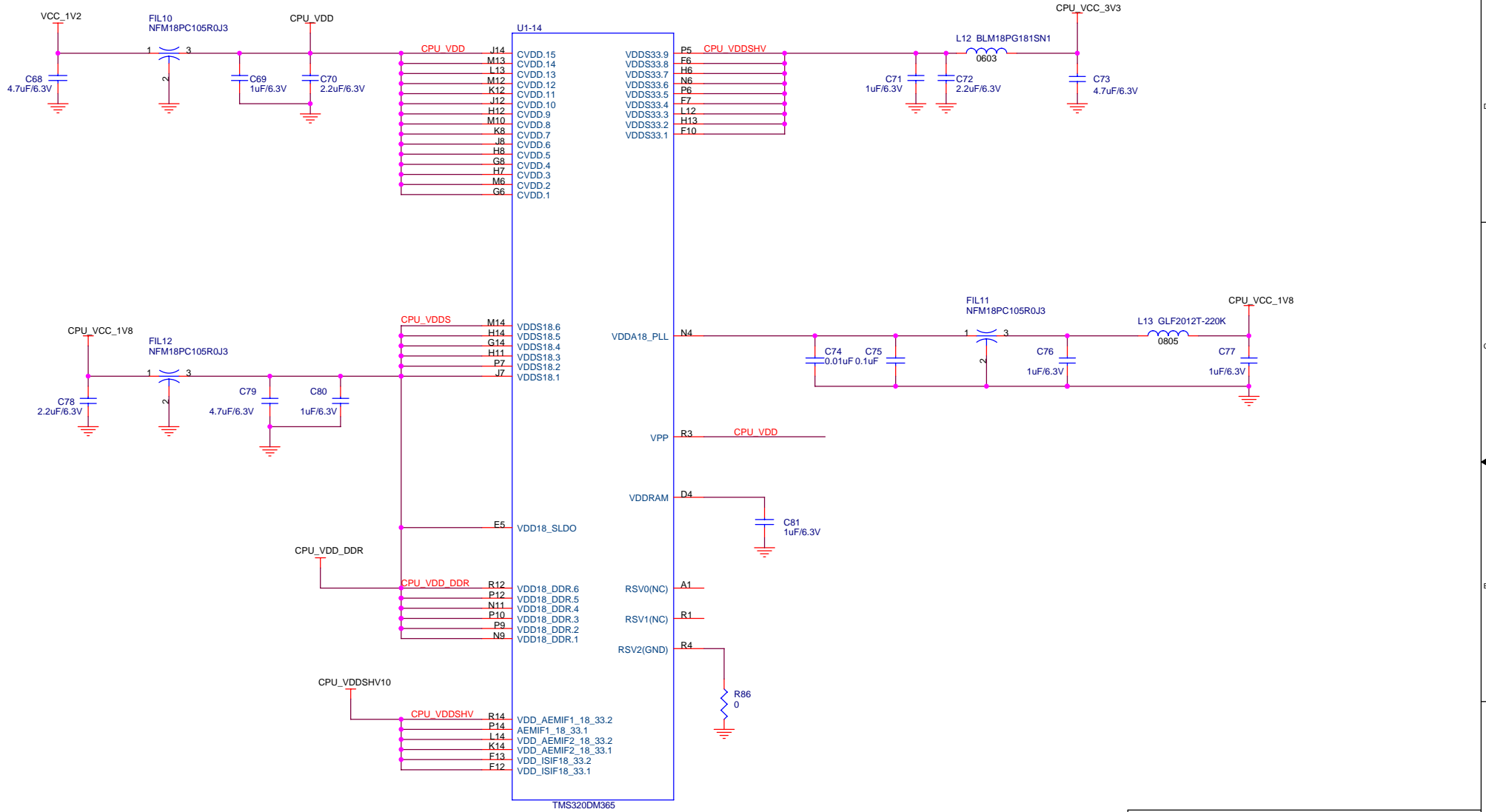
LEOPARD IMAGING INC			
Title: LeopardBoard 365			
Page Contents: DM365 JTAG,RESET,CLOCKS			
Size: B	DWG NO	Revision: 1.3	
Date: Friday, January 01, 2010	Sheet 10 of		21



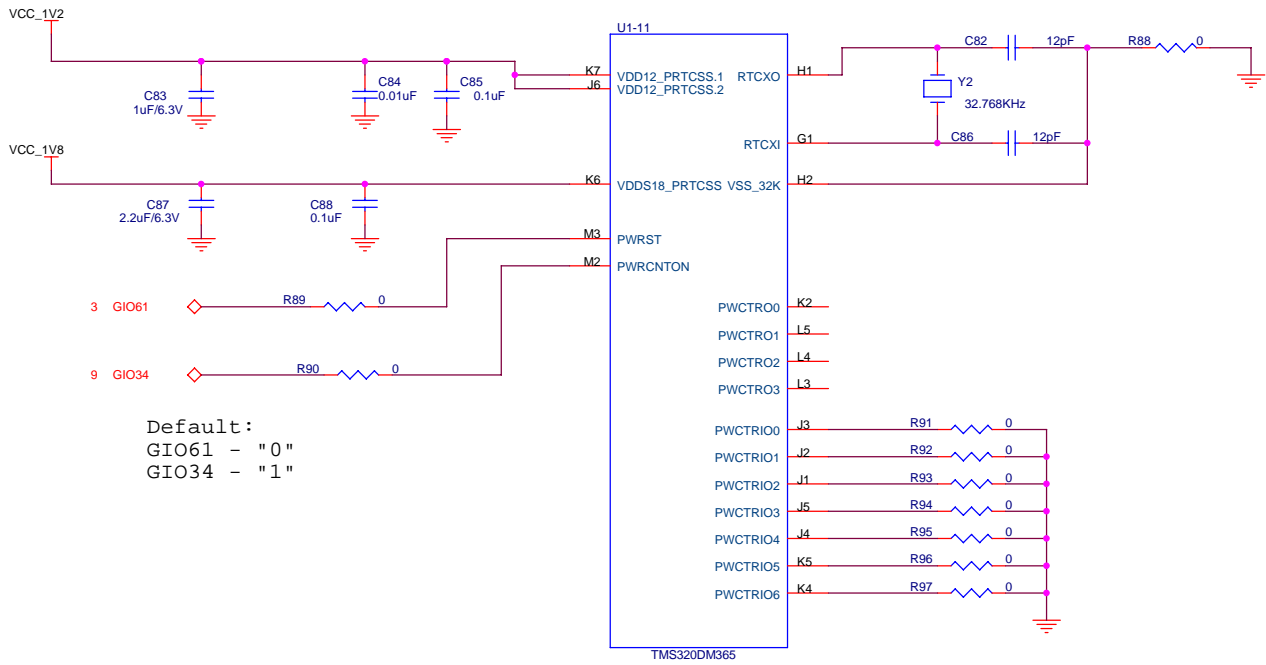
LEOPARD IMAGING INC		
Title: LeopardBoard 365		
Page Contents: DM365 ADC		
Size: B	DWG NO	Revision: 1.3
Date: Friday, January 01, 2010	Sheet 11 of 21	



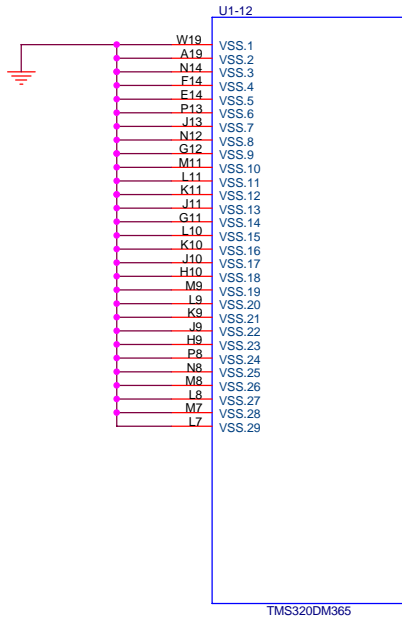
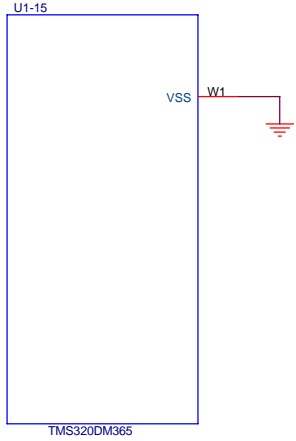
LEOPARD IMAGING INC			
Title: LeopardBoard 365			
Page Contents: DM365 MIC/SPEAKER			
Size: B	DWG NO	Revision: 1.3	
Date: Friday, January 01, 2010	Sheet 12 of		21



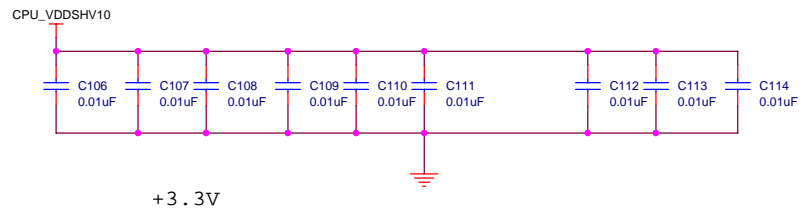
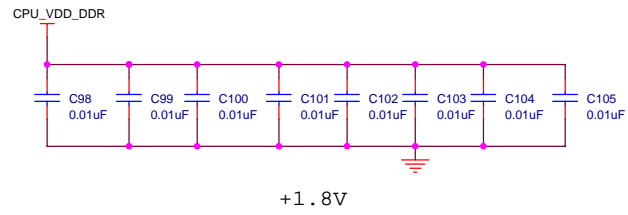
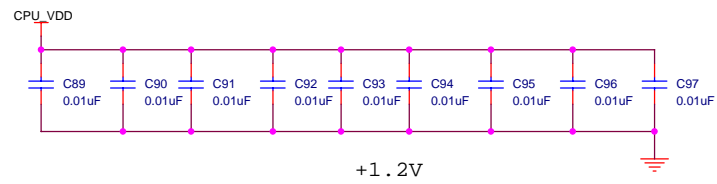
LEOPARD IMAGING INC			
Title: LeopardBoard 365			
Page Contents: DM365 POWER			
Size: B	DWG NO	Revision: 1.3	
Date: Friday, January 01, 2010	Sheet 13 of		21



LEOPARD IMAGING INC			
Title: LeopardBoard 365			
Page Contents: DM365 POWER			
Size: B	DWG NO	Revision: 1.3	
Date: Friday, January 01, 2010	Sheet 14 of		21

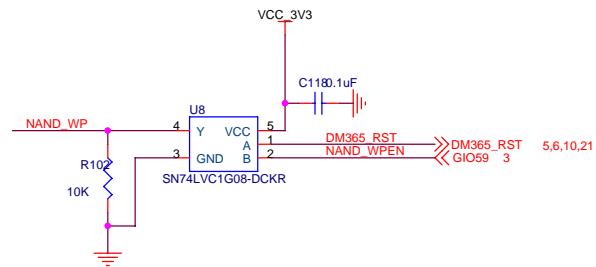
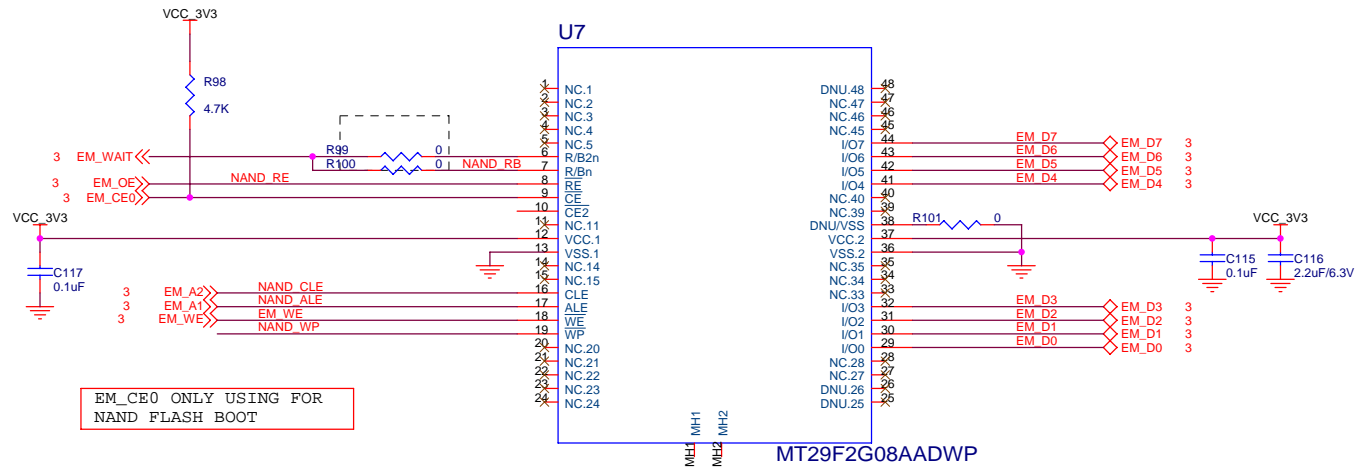


LEOPARD IMAGING INC		
Title: LeopardBoard 365		
Page Contents: DM365 POWER		
Size: B	DWG NO	Revision: 1.3
Date: Friday, January 01, 2010	Sheet 15 of	21

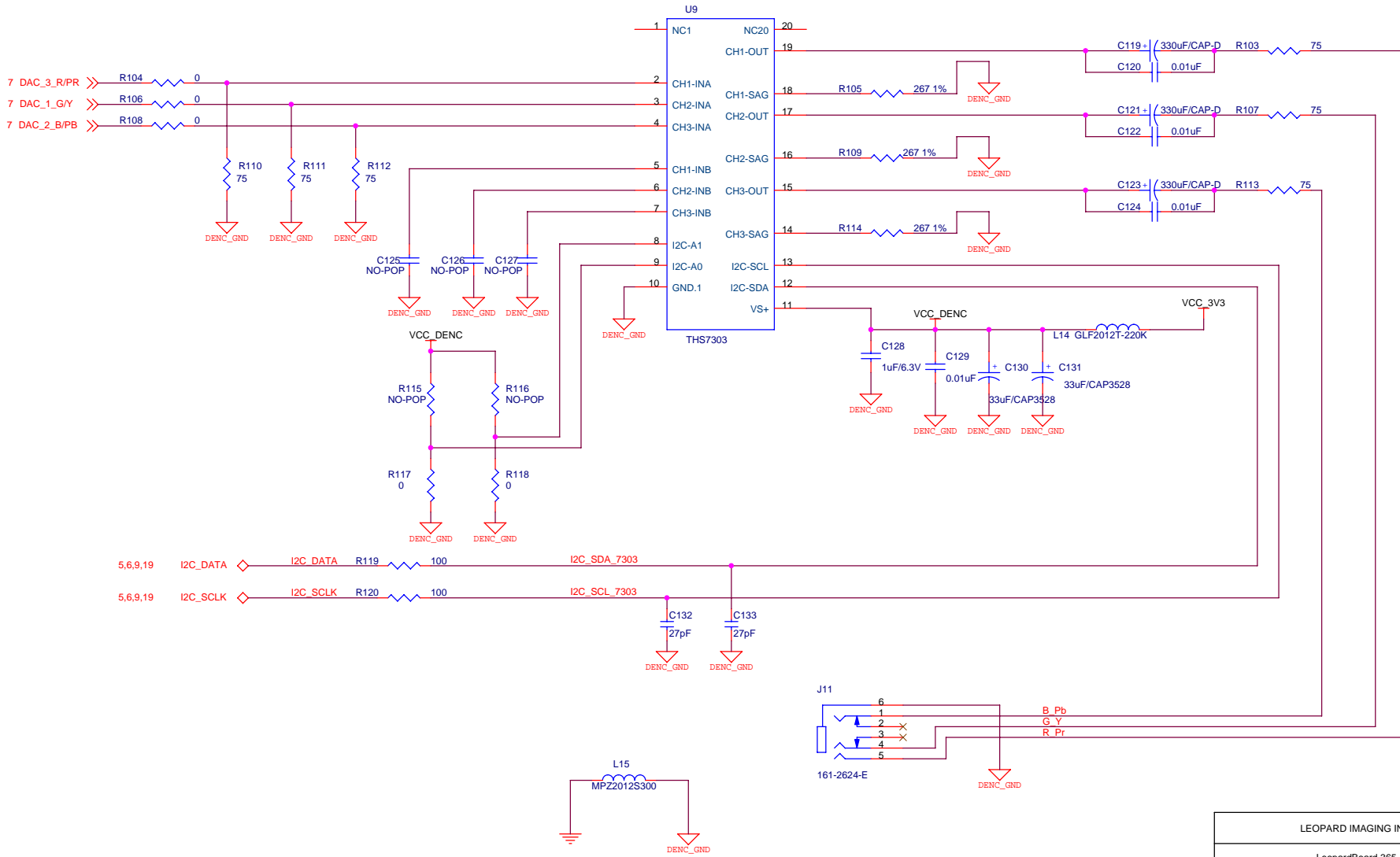


LEOPARD IMAGING INC		
Title: LeopardBoard 365		
Page Contents: DM365 DECOUPLING CAPACITORS		
Size: B	DWG NO	Revision: 1.3
Date: Friday, January 01, 2010	Sheet 16 of 21	

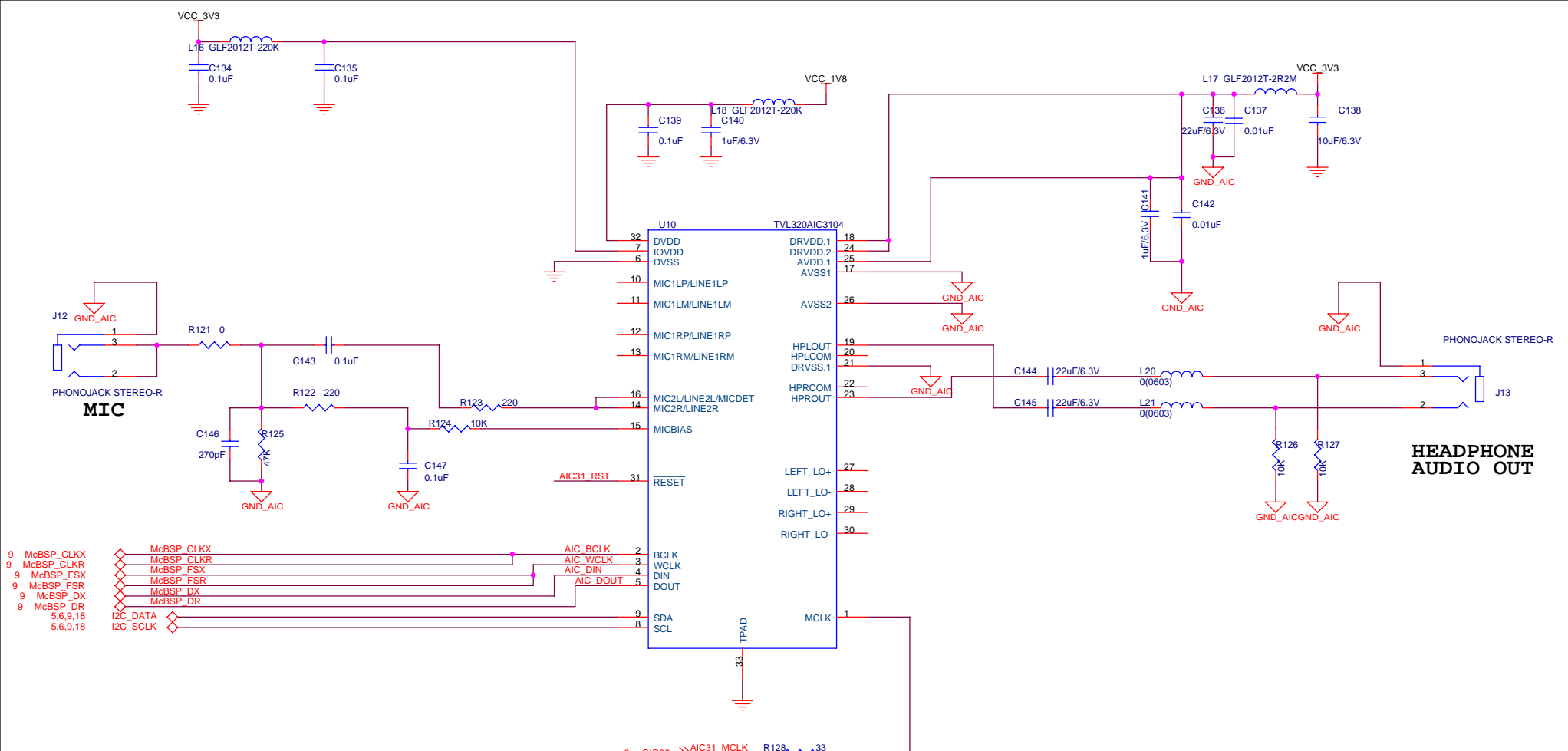




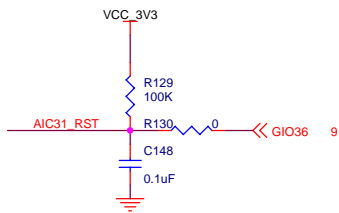
LEOPARD IMAGING INC			
Title: LeopardBoard 365			
Page Contents: NAND FLASH			
Size: B	DWG NO	Revision: 1.3	
Date: Friday, January 01, 2010	Sheet 17 of 21		



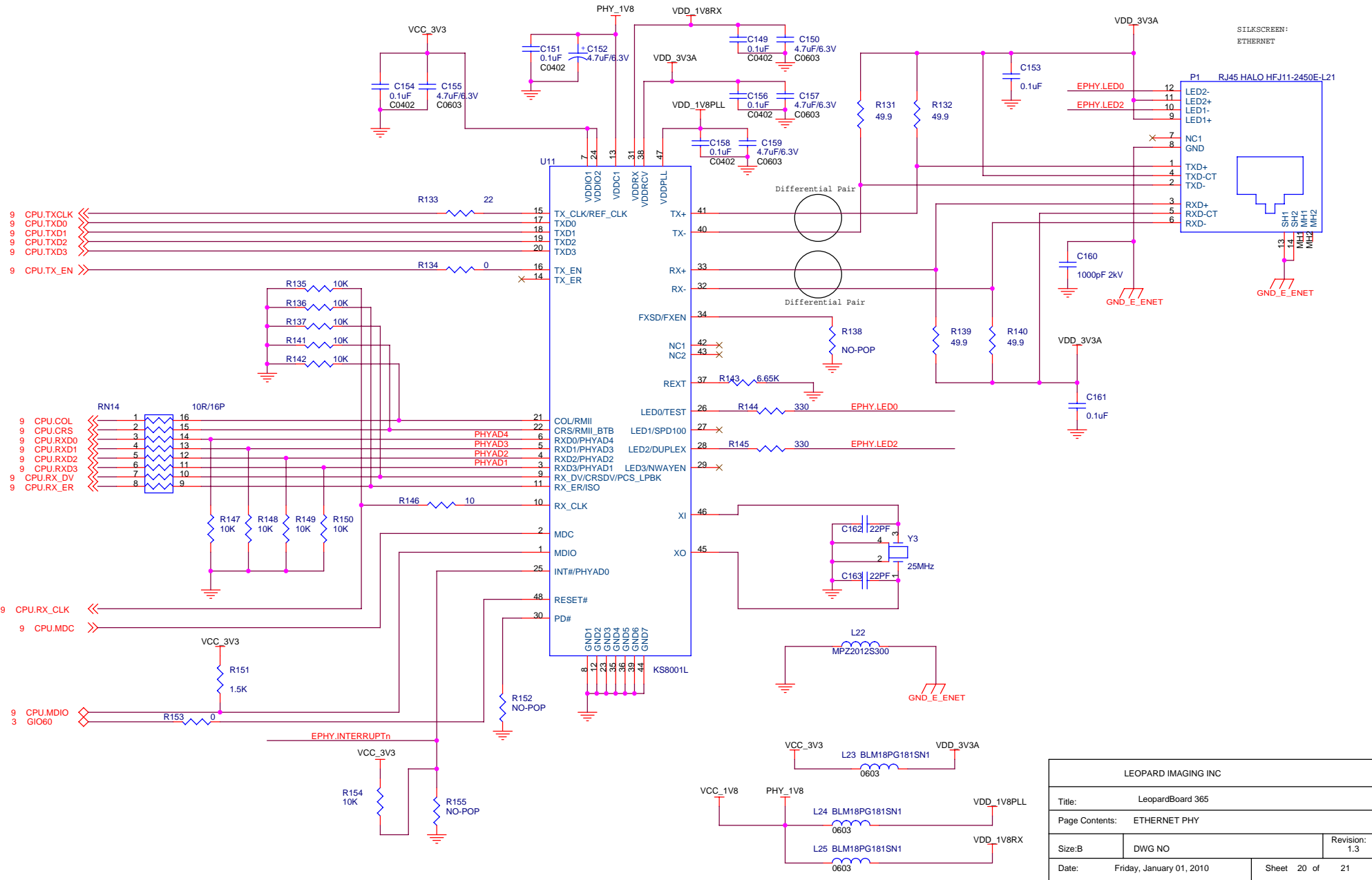
LEOPARD IMAGING INC			
Title: LeopardBoard 365			
Page Contents: COMPONENT VIDEO OUTPUT			
Size: B	DWG NO	Revision: 1.3	
Date: Friday, January 01, 2010	Sheet 18 of 21		



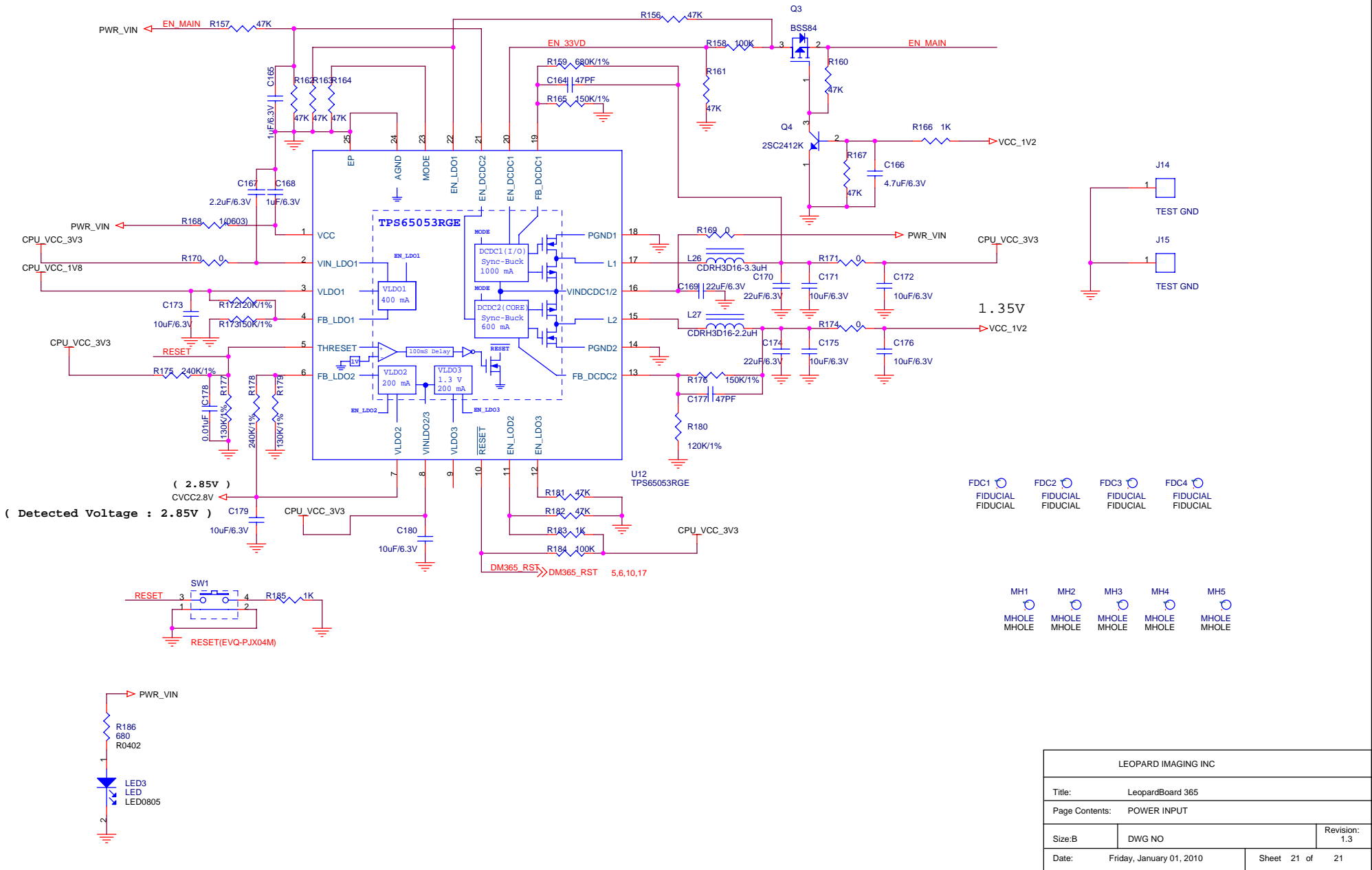
ISOLATE GROUNDS  
AND CONNECT AT  
SINGLE LOCATION  
IN THE GROUND  
PLANE



LEOPARD IMAGING INC		
Title: LeopardBoard 365		
Page Contents: AIC3104 AUDIO INTERFACE		
Size: B	DWG NO	Revision: 1.3
Date: Friday, January 01, 2010	Sheet 19 of 21	



LEOPARD IMAGING INC			
Title: LeopardBoard 365			
Page Contents: ETHERNET PHY			
Size: B	DWG NO	Revision: 1.3	
Date: Friday, January 01, 2010	Sheet 20 of		21



LEOPARD IMAGING INC			
Title: LeopardBoard 365			
Page Contents: POWER INPUT			
Size: B	DWG NO	Revision: 1.3	
Date: Friday, January 01, 2010	Sheet 21 of		21