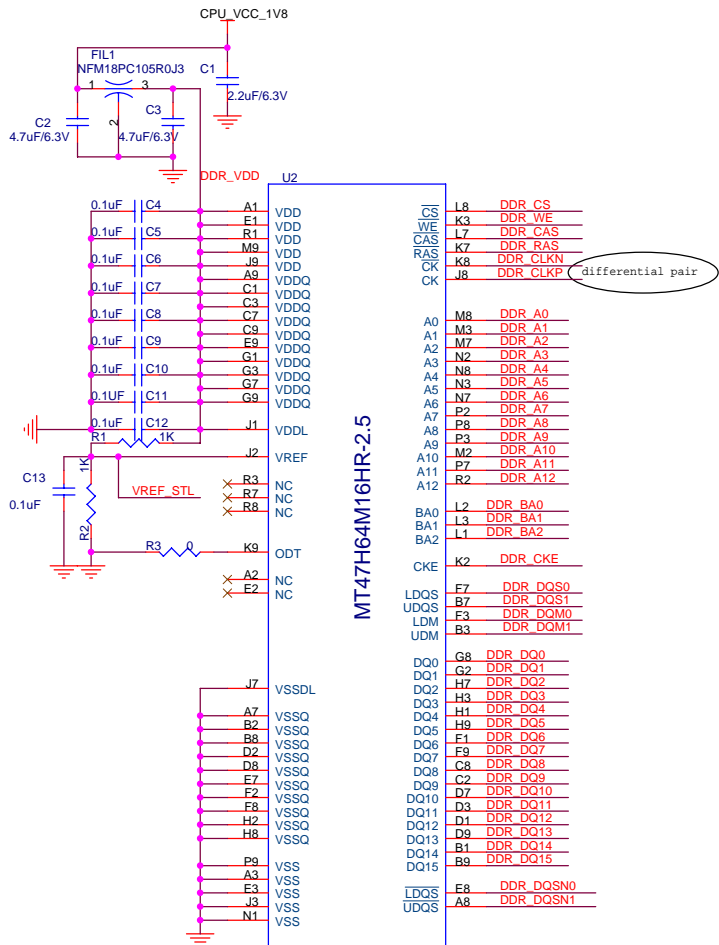


REV	DESCRIPTION	DATE	APPROVED
1.0	Initial schematic	06/01/09	
1.5	Change Resistor Array to single Resistor	10/16/10	

SCHMATIC CONTENTS

- SHEET01 - TITLE
- SHEET02 - DM368 DDR2 INTERFACE
- SHEET03 - DM368 EMIF/BOOT MODES/CFG MODES
- SHEET04 - DM368 USB
- SHEET05 - DM368 VIDEO PORT IN
- SHEET06 - DM368 VIDEO PORT OUT
- SHEET07 - DM368 ANALOG VIDEO OUT
- SHEET08 - DM368 SD/MMC/MS IF
- SHEET09 - DM368 I/O
- SHEET10 - DM368 JTAG,CLKS,RESET
- SHEET11 - DM368 ADC
- SHEET12 - DM368 MIC/SPEAKER
- SHEET13 - DM368 POWER PINS
- SHEET14 - DM368 POWER CONTROL
- SHEET15 - DM368 GROUND PINS
- SHEET16 - DM368 DECOUPLING CAPS
- SHEET17 - NAND FLASH
- SHEET18 - VIDEO COMPONENT OUT
- SHEET19 - AIC3104
- SHEET20 - ETHERNET PHY
- SHEET21 - POWER IN

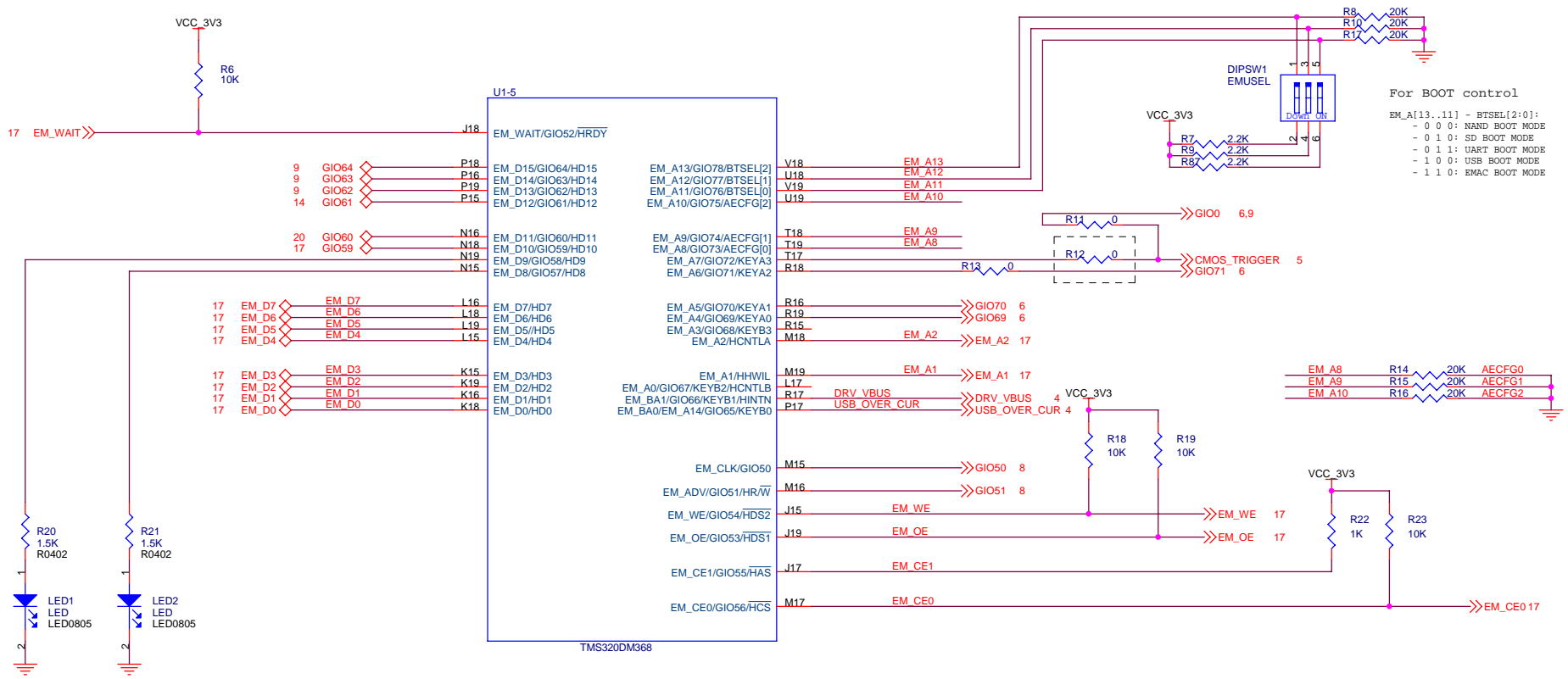
LEOPARD IMAGING INC			
Title: LeopardBoard 368			
Page Contents: TITLE SHEET			
Size: B	DWG NO	Revision: 1.5	
Date: Sunday, January 02, 2011	Sheet 1 of 21		



DDR_STRBEN is trace to DDR memory for delay compensation

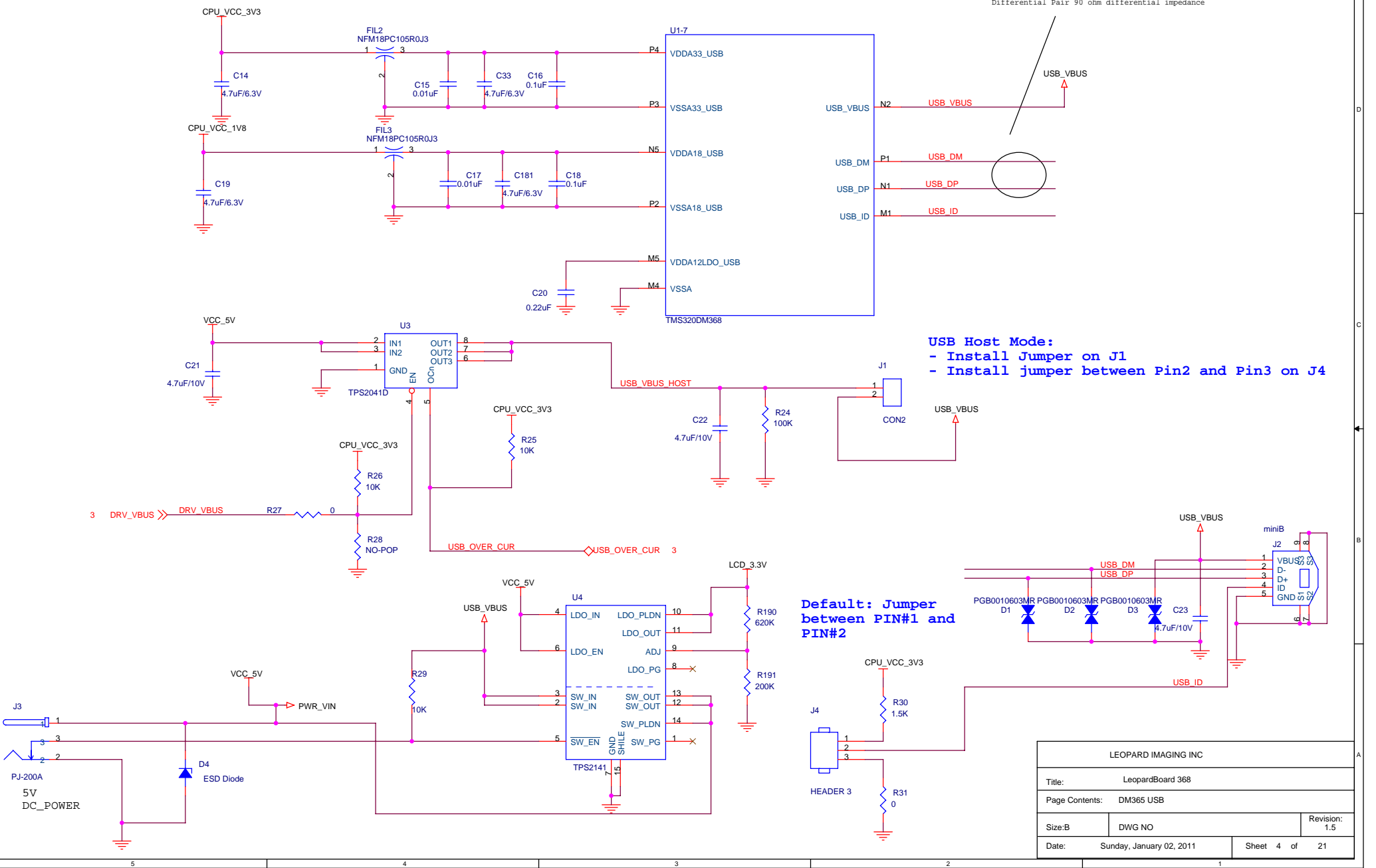
This net is equal to the DDR_CLKP (or DDR_CLKN) plus the length of DDR_DQXX Average Trace length

LEOPARD IMAGING INC			
Title: LeopardBoard 368			
Page Contents: DM365 DDR INTERFACE			
Size: B	DWG NO	Revision: 1.5	
Date: Sunday, January 02, 2011	Sheet 2 of 21		



For BOOT control
 EM_A[13..11] - BTSEL[2:0]:
 - 0 0 0: NAND BOOT MODE
 - 0 1 0: SD BOOT MODE
 - 0 1 1: UART BOOT MODE
 - 1 0 0: USB BOOT MODE
 - 1 1 0: EMAC BOOT MODE

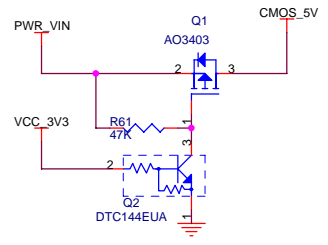
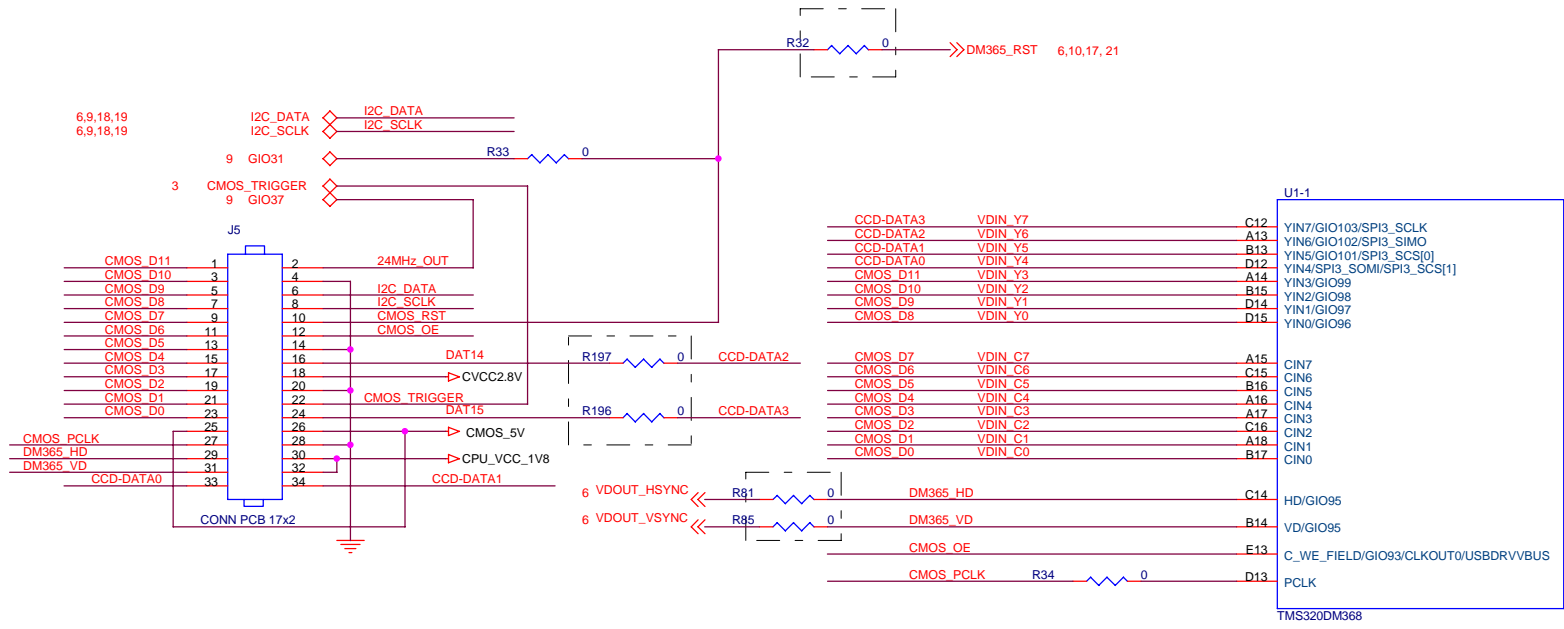
LEOPARD IMAGING INC			
Title: LeopardBoard 368			
Page Contents: DM365 EMIF/BOOT MODES/CFG MODES			
Size: B	DWG NO	Revision: 1.5	
Date: Sunday, January 02, 2011	Sheet 3 of 21		



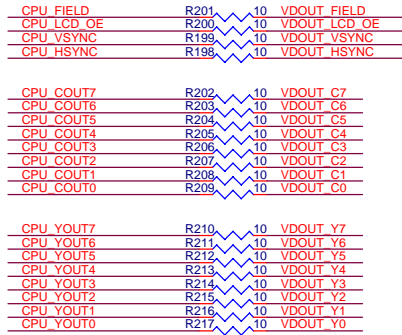
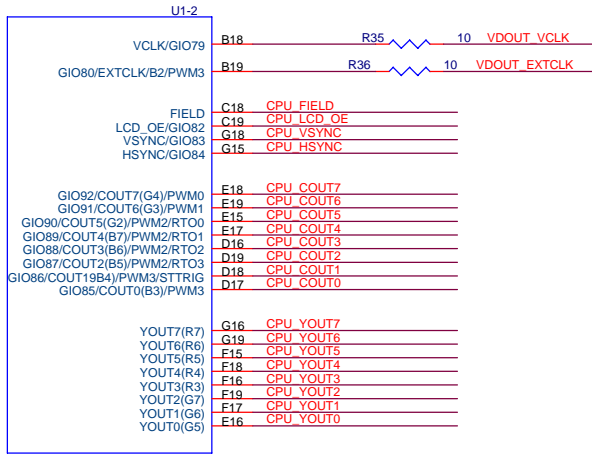
USB Host Mode:
 - Install Jumper on J1
 - Install jumper between Pin2 and Pin3 on J4

Default: Jumper between PIN#1 and PIN#2

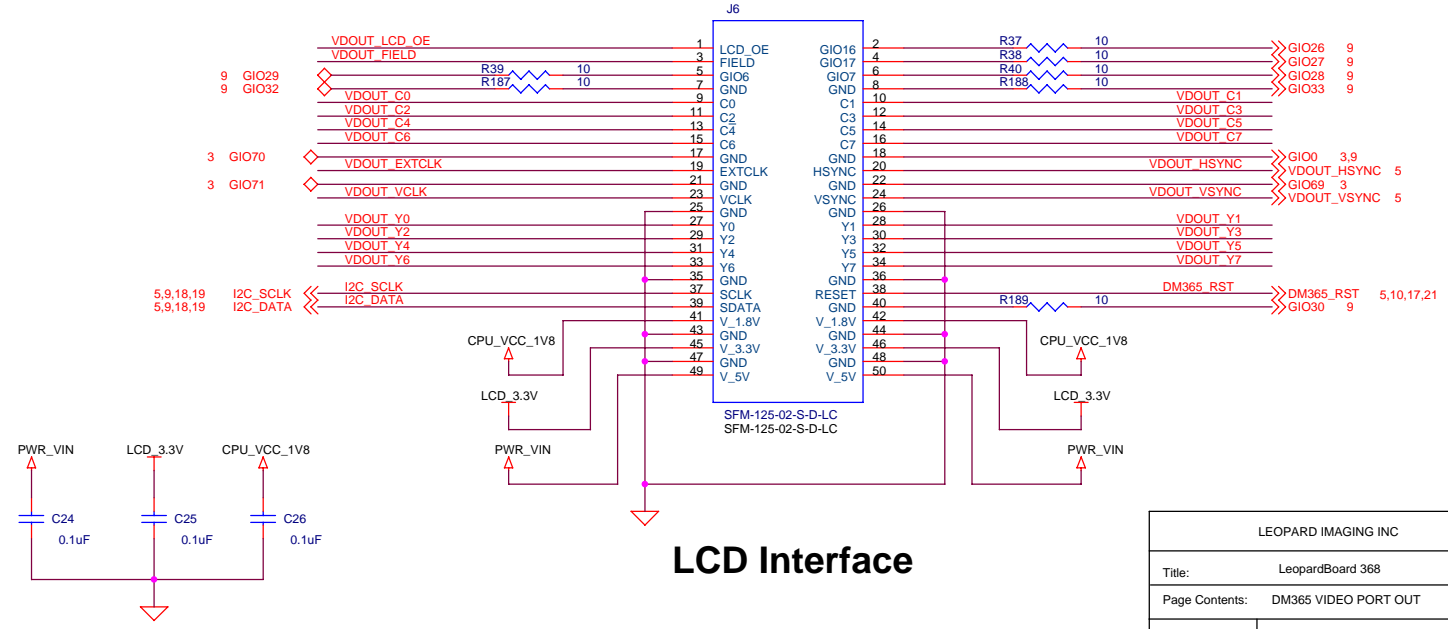
LEOPARD IMAGING INC			
Title: LeopardBoard 368			
Page Contents: DM365 USB			
Size: B	DWG NO	Revision: 1.5	
Date: Sunday, January 02, 2011	Sheet 4 of		21



LEOPARD IMAGING INC			
Title: LeopardBoard 368			
Page Contents: DM365 VIDEO IN			
Size: B	DWG NO	Revision: 1.5	
Date: Sunday, January 02, 2011	Sheet 5 of		21

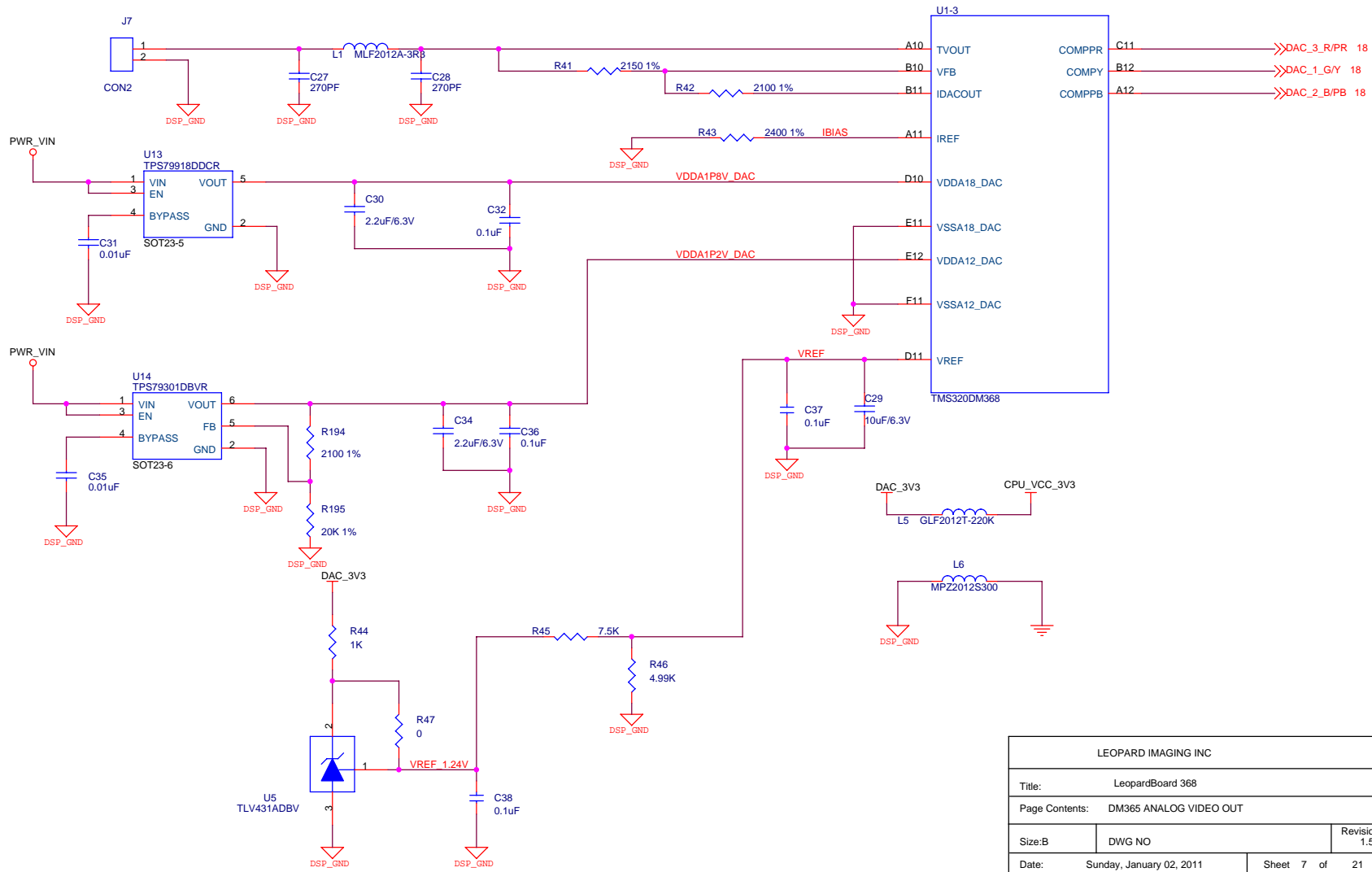


- R0 - GIO32
- R1 - GIO33
- R2 - VDOOUT_FIELD
- R3 - YOUT3
- R4 - YOUT4
- R5 - YOUT5
- R6 - YOUT6
- R7 - YOUT7
- B0 - GIO27
- B1 - GIO28
- B2 - VDOOUT_EXTCLK
- B3 - COUT0
- B4 - COUT1
- B5 - COUT2
- B6 - COUT3
- B7 - COUT4
- G0 - GIO29
- G1 - GIO30
- G2 - COUT5
- G3 - COUT6
- G4 - COUT7
- G5 - YOUT0
- G6 - YOUT1
- G7 - YOUT2

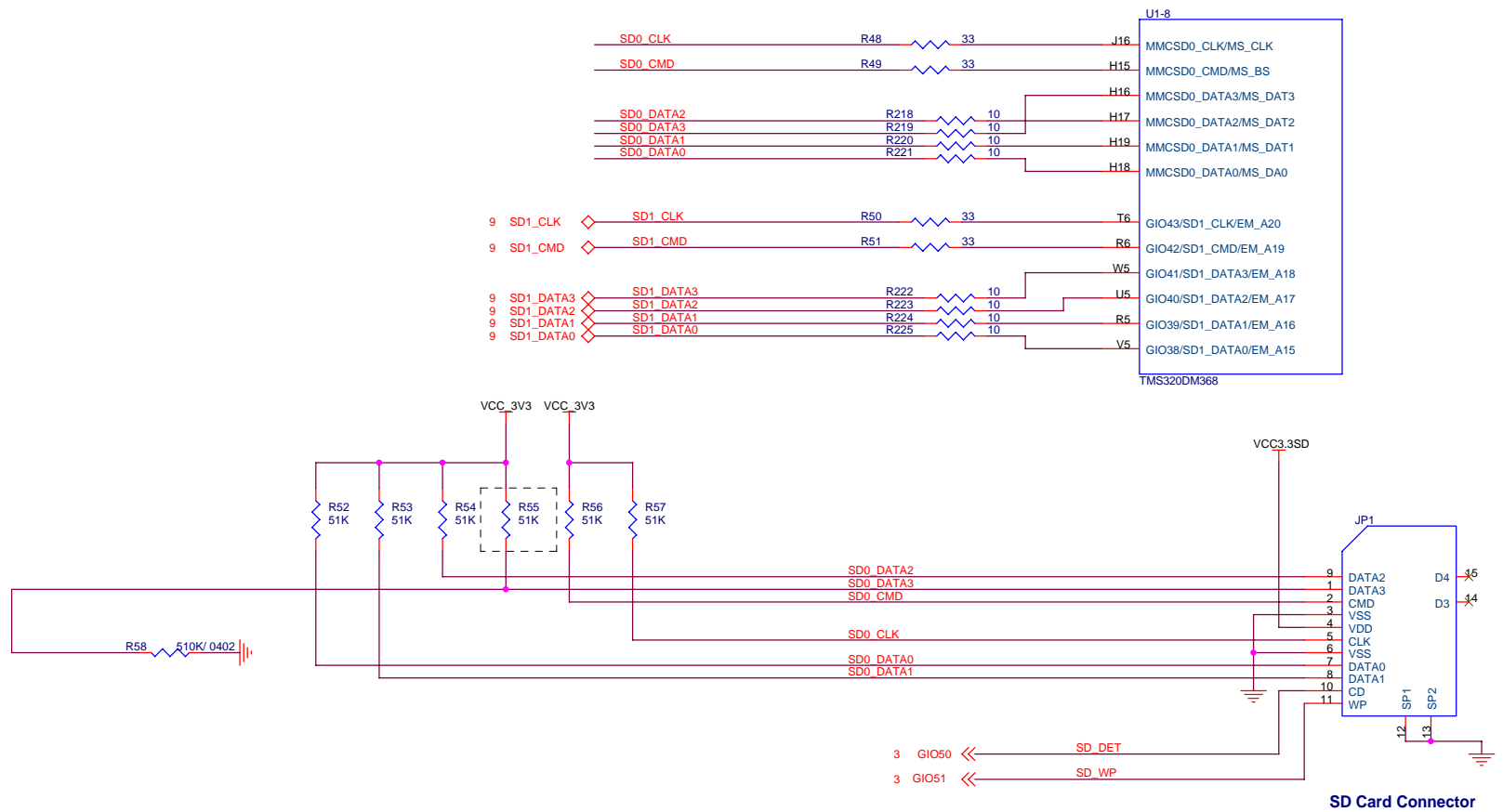


LCD Interface

LEOPARD IMAGING INC			
Title: LeopardBoard 368			
Page Contents: DM365 VIDEO PORT OUT			
Size: B	DWG NO	Revision: 1.5	
Date: Sunday, January 02, 2011	Sheet 6 of 21		



LEOPARD IMAGING INC			
Title: LeopardBoard 368			
Page Contents: DM365 ANALOG VIDEO OUT			
Size: B	DWG NO	Revision: 1.5	
Date: Sunday, January 02, 2011	Sheet 7 of 21		



LEOPARD IMAGING INC			
Title: LeopardBoard 368			
Page Contents: DM365 SD/MMC/MS INTERFACE			
Size: B	DWG NO	Revision: 1.5	
Date: Sunday, January 02, 2011	Sheet 8 of 21		

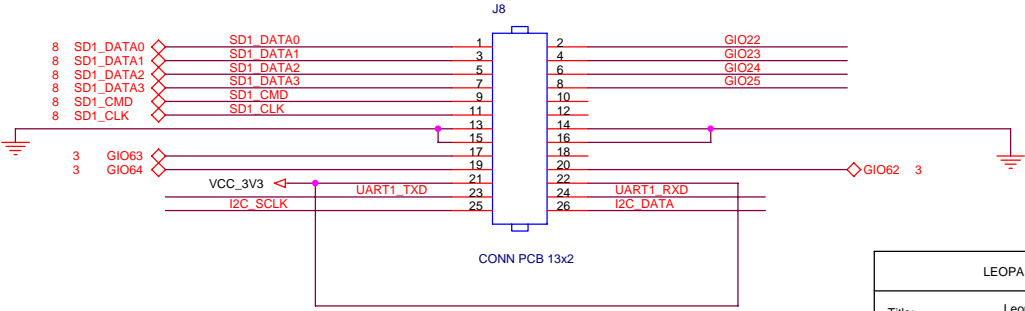
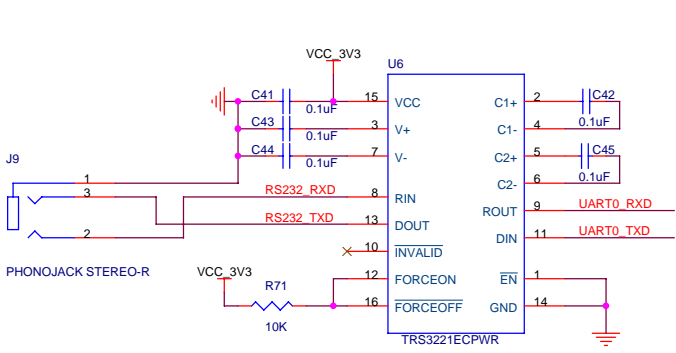
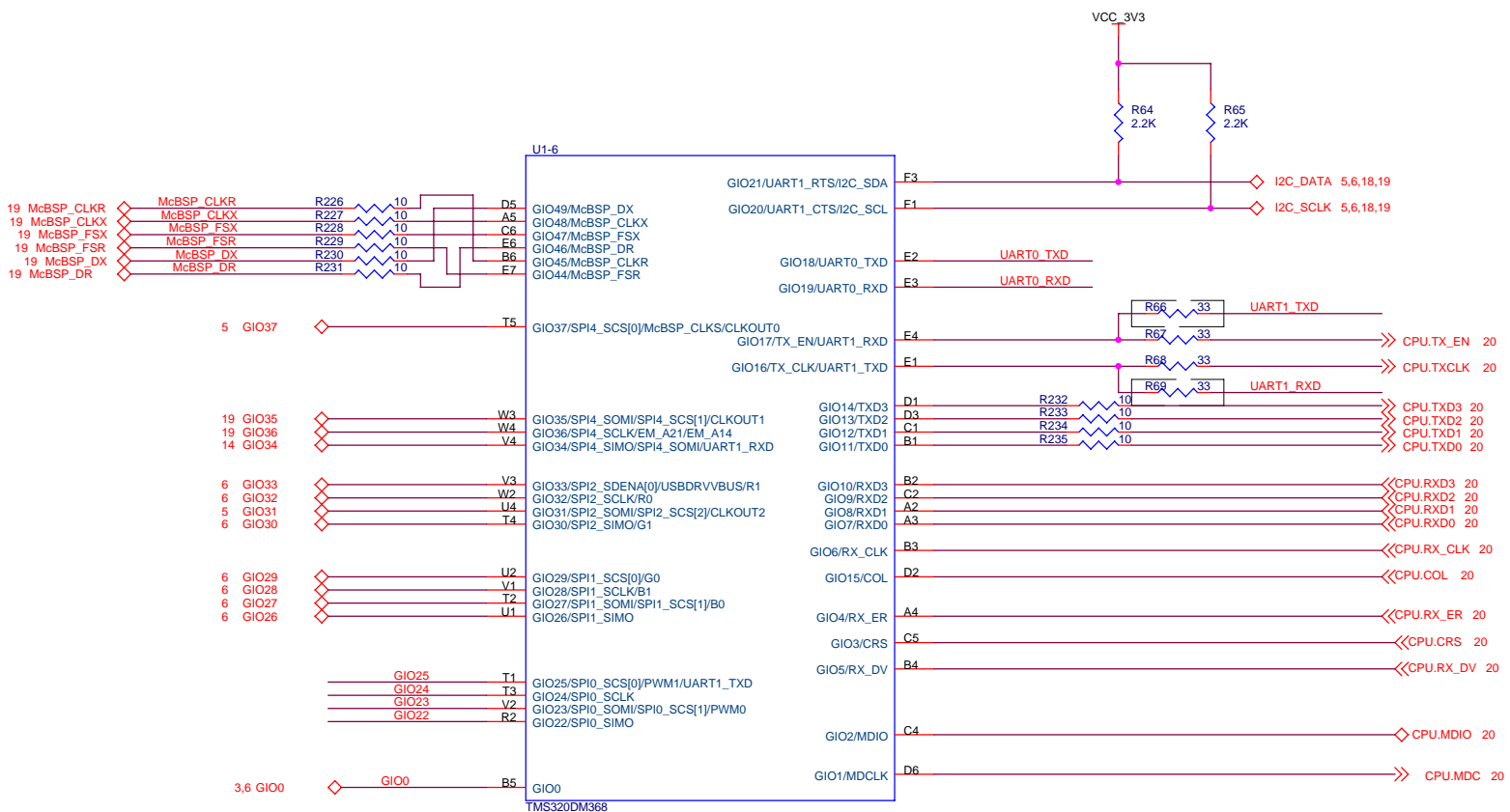
5

4

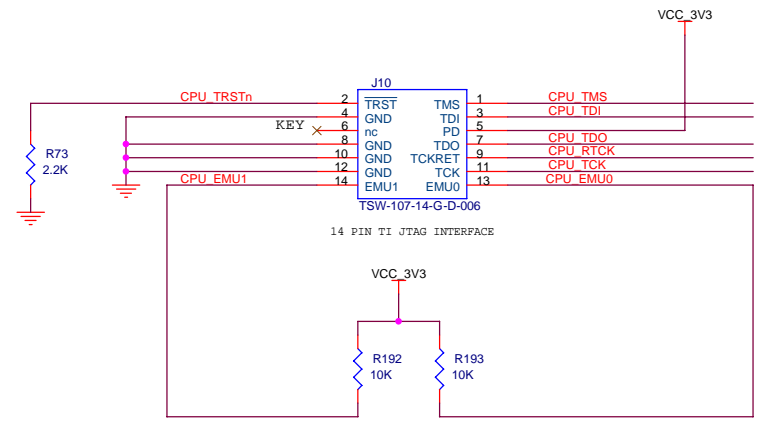
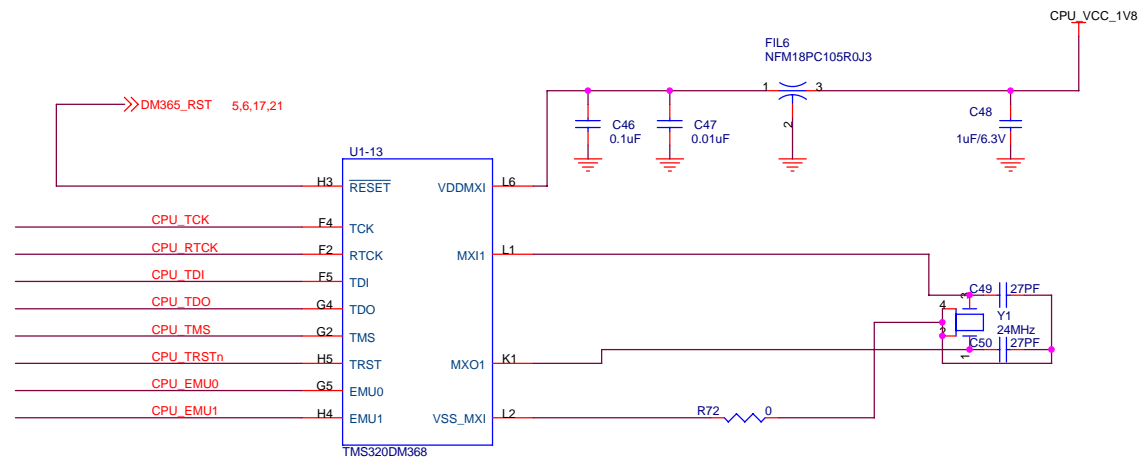
3

2

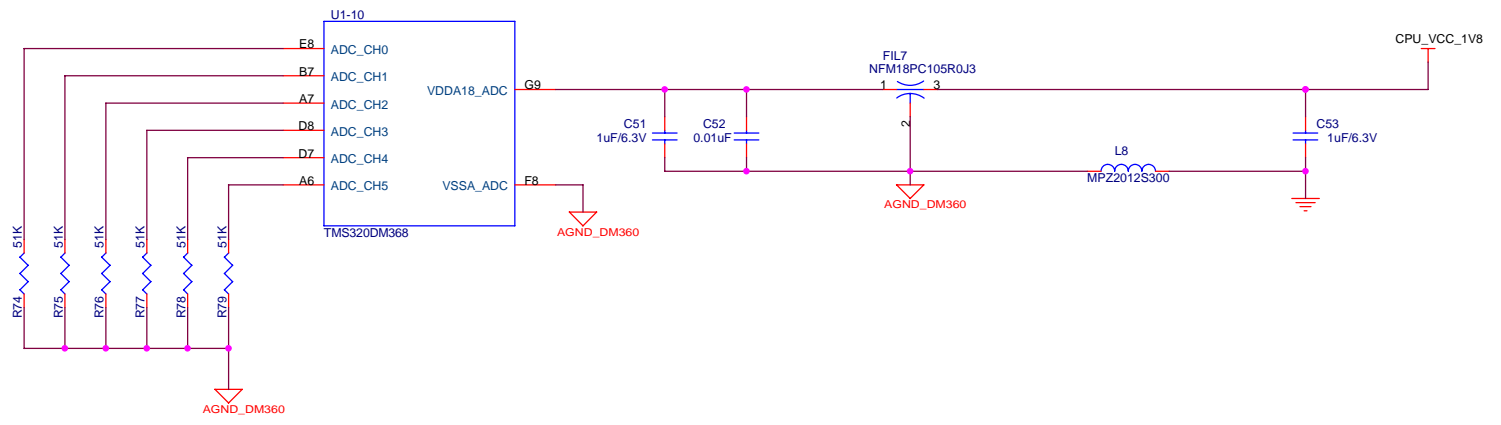
1



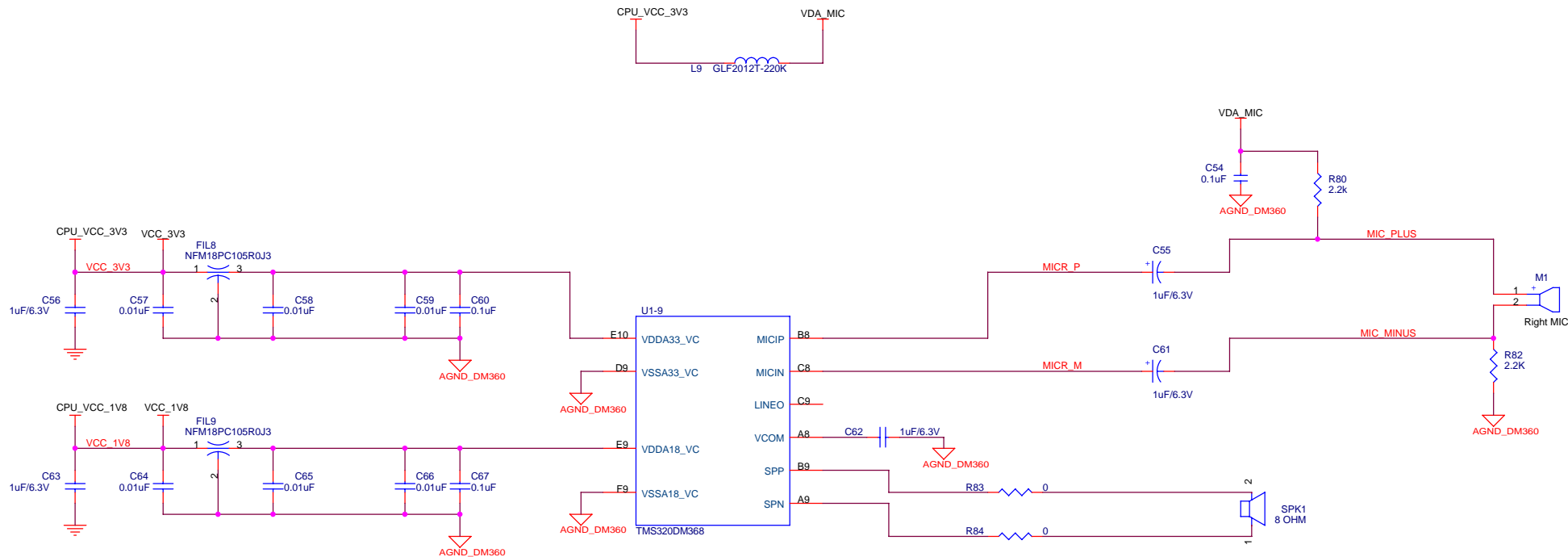
LEOPARD IMAGING INC			
Title: LeopardBoard 368			
Page Contents: DM365 I/O			
Size: B	DWG NO	Revision: 1.5	
Date: Sunday, January 02, 2011	Sheet 9 of 21		



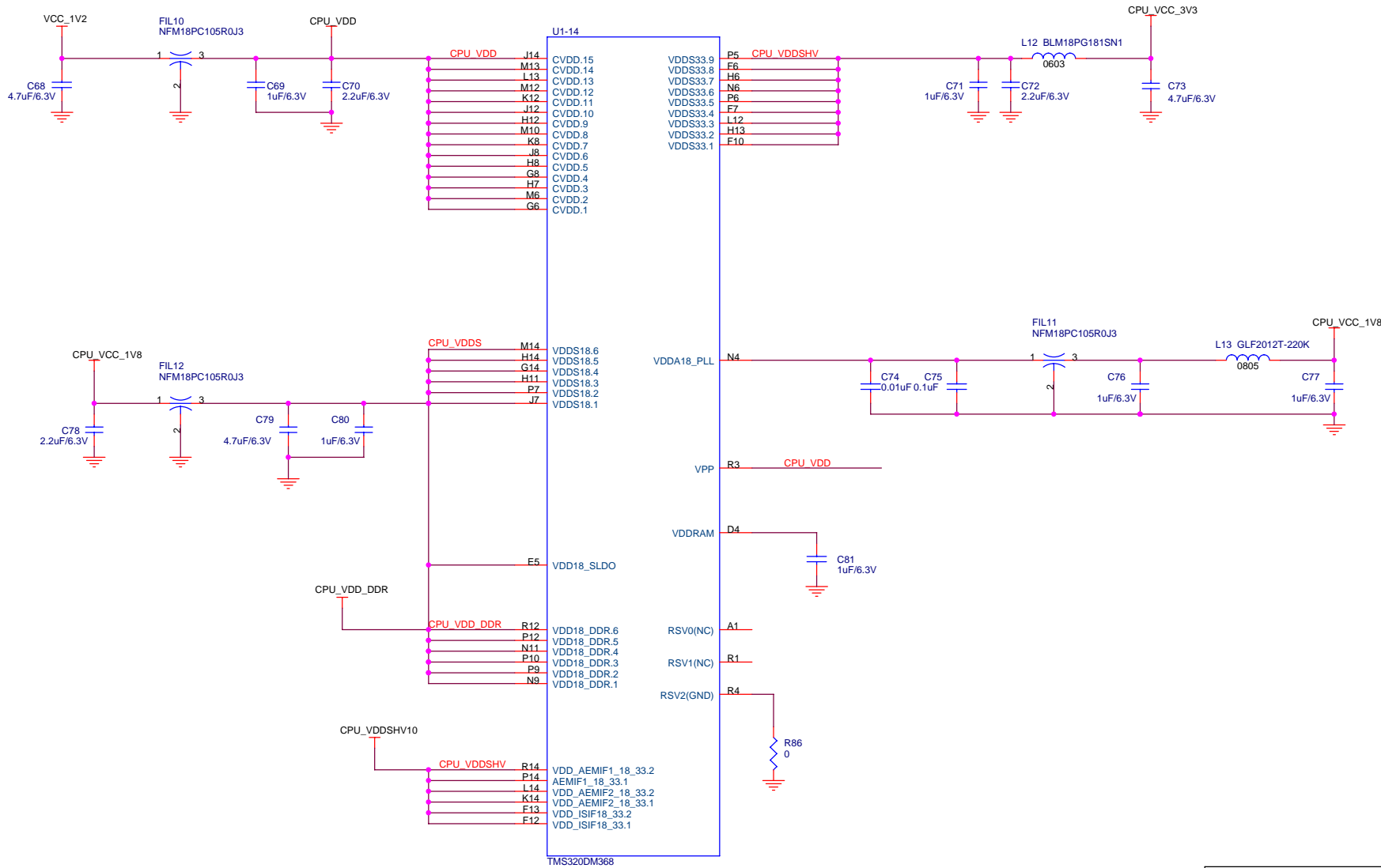
LEOPARD IMAGING INC			
Title: LeopardBoard 368			
Page Contents: DM365 JTAG,RESET,CLOCKS			
Size: B	DWG NO	Revision: 1.5	
Date: Sunday, January 02, 2011	Sheet 10 of		21



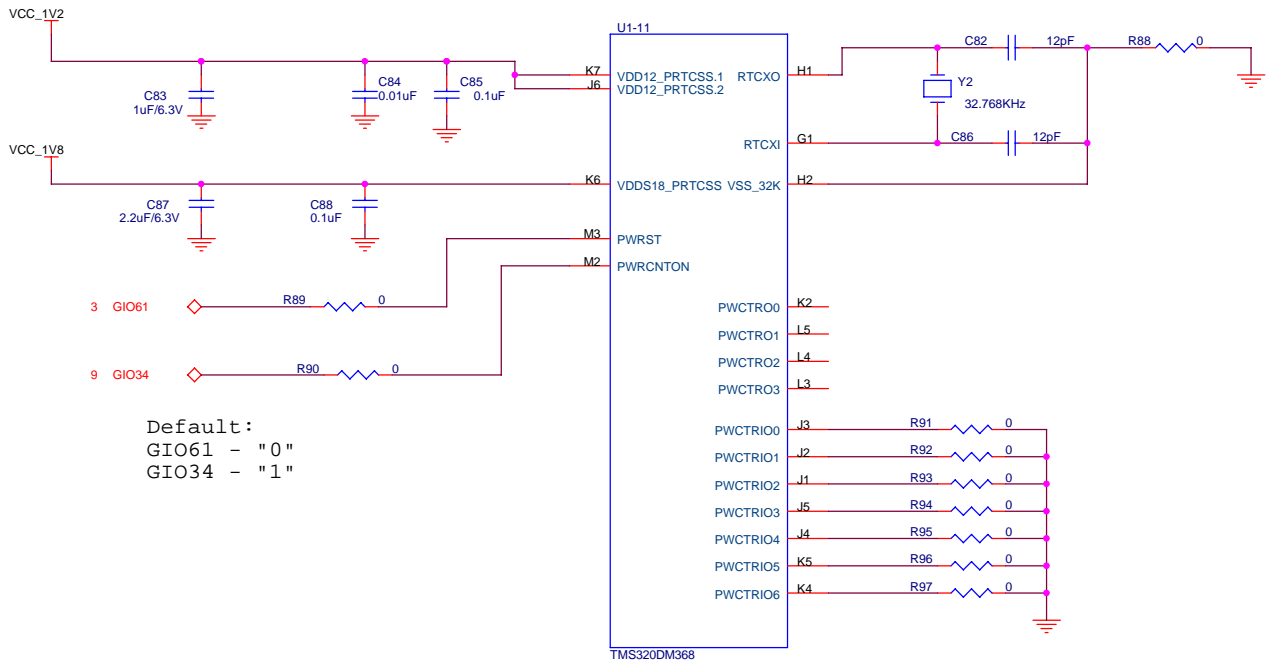
LEOPARD IMAGING INC			
Title: LeopardBoard 368			
Page Contents: DM365 ADC			
Size: B	DWG NO	Revision: 1.5	
Date: Sunday, January 02, 2011	Sheet 11 of		21



LEOPARD IMAGING INC			
Title: LeopardBoard 368			
Page Contents: DM365 MIC/SPEAKER			
Size: B	DWG NO	Revision: 1.5	
Date: Sunday, January 02, 2011	Sheet 12 of		21

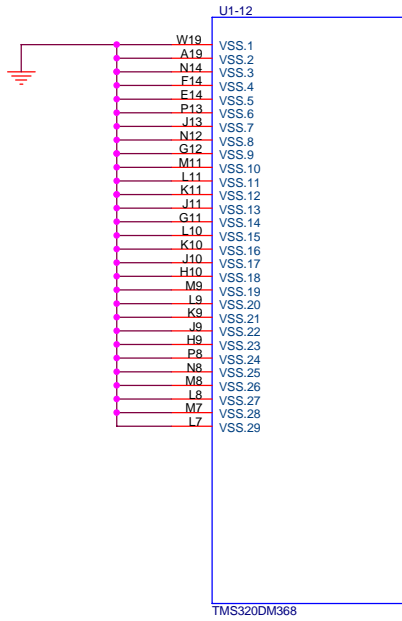
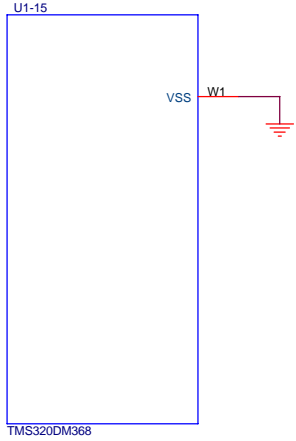


LEOPARD IMAGING INC			
Title: LeopardBoard 368			
Page Contents: DM365 POWER			
Size: B	DWG NO	Revision: 1.5	
Date: Sunday, January 02, 2011	Sheet 13 of		21

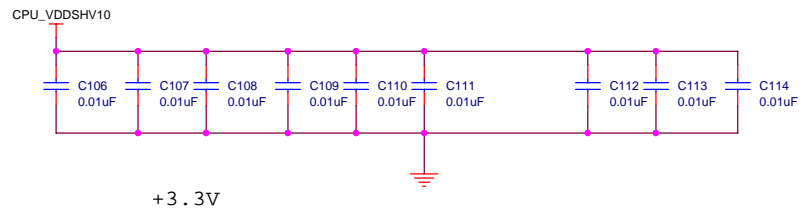
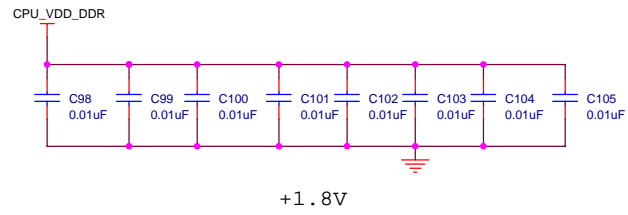
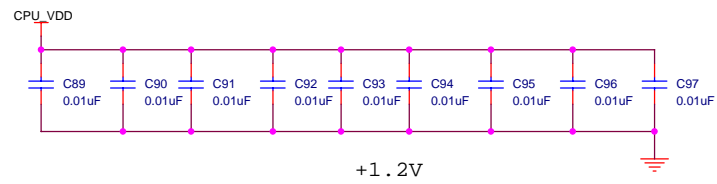


Default:
 GIO61 - "0"
 GIO34 - "1"

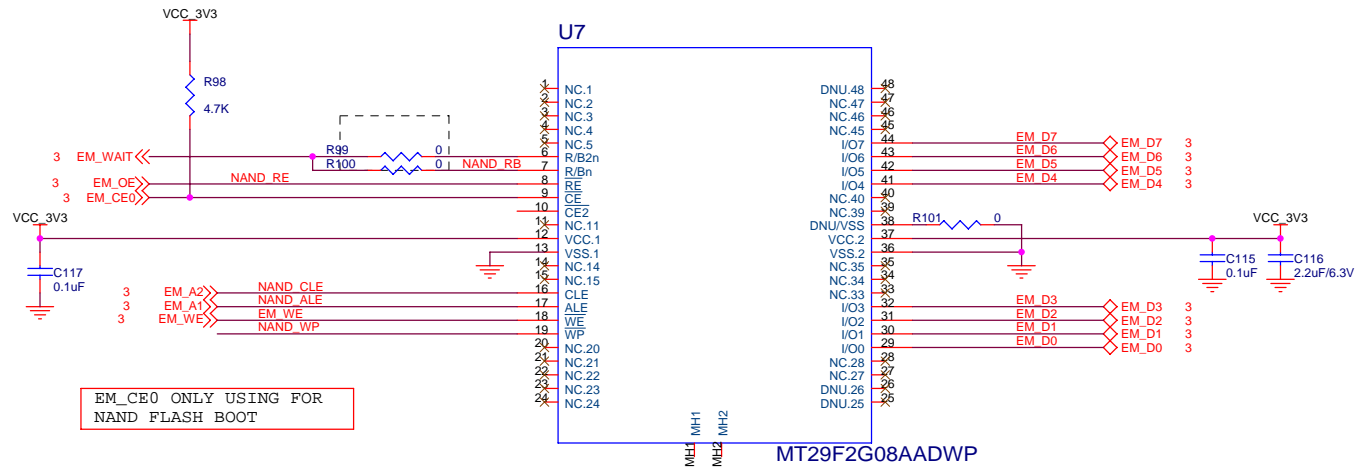
LEOPARD IMAGING INC		
Title: LeopardBoard 368		
Page Contents: DM365 POWER		
Size: B	DWG NO	Revision: 1.5
Date: Sunday, January 02, 2011	Sheet 14 of 21	



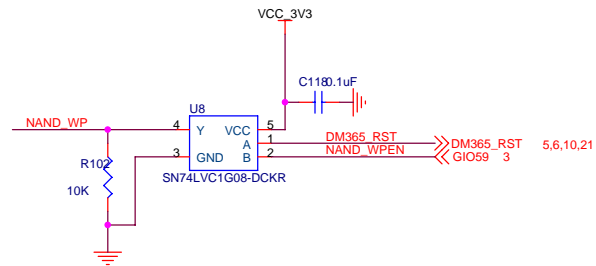
LEOPARD IMAGING INC		
Title: LeopardBoard 368		
Page Contents: DM365 POWER		
Size: B	DWG NO	Revision: 1.5
Date: Sunday, January 02, 2011	Sheet 15 of	21



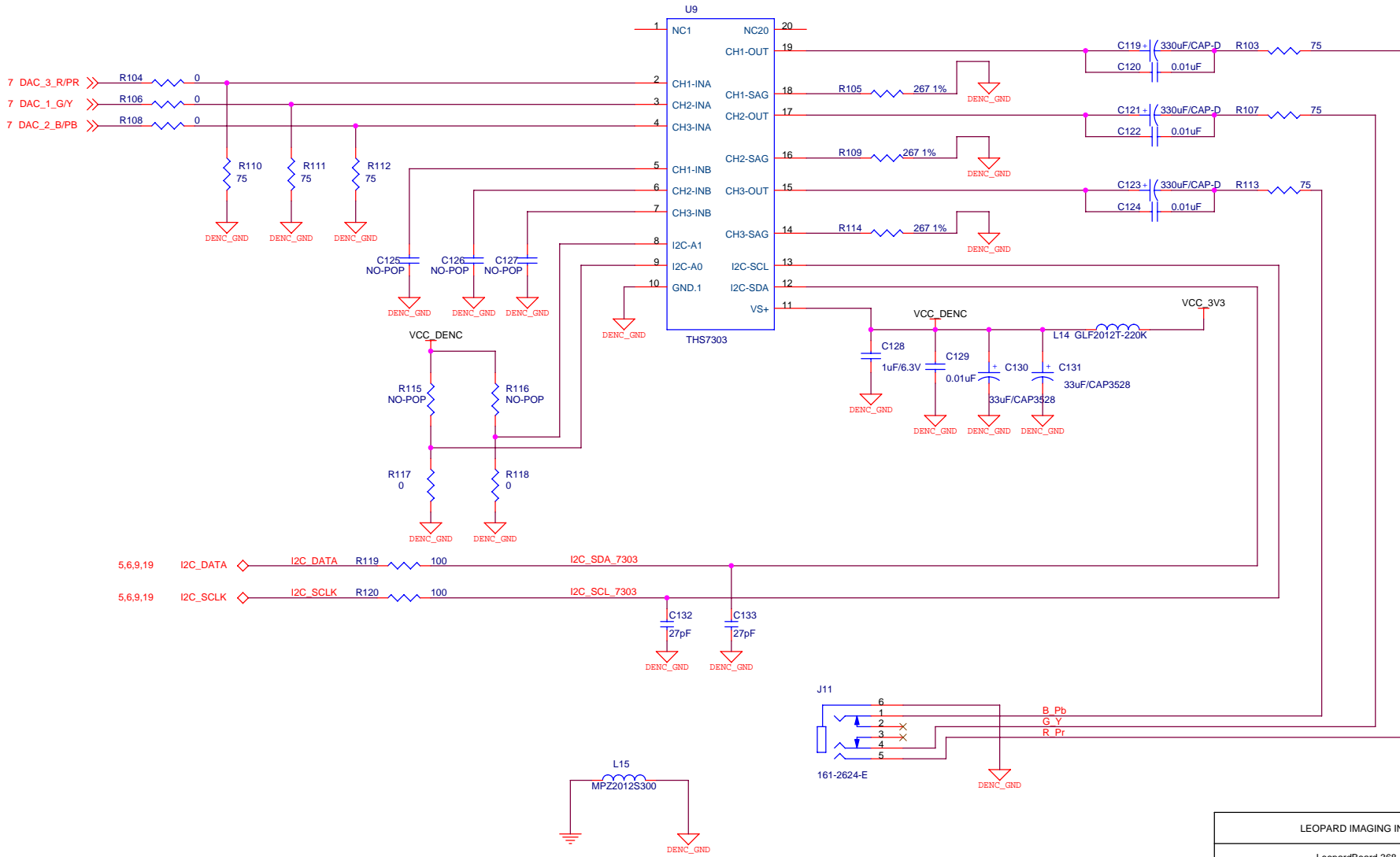
LEOPARD IMAGING INC		
Title: LeopardBoard 368		
Page Contents: DM365 DECOUPLING CAPACITORS		
Size: B	DWG NO	Revision: 1.5
Date: Sunday, January 02, 2011	Sheet 16 of 21	



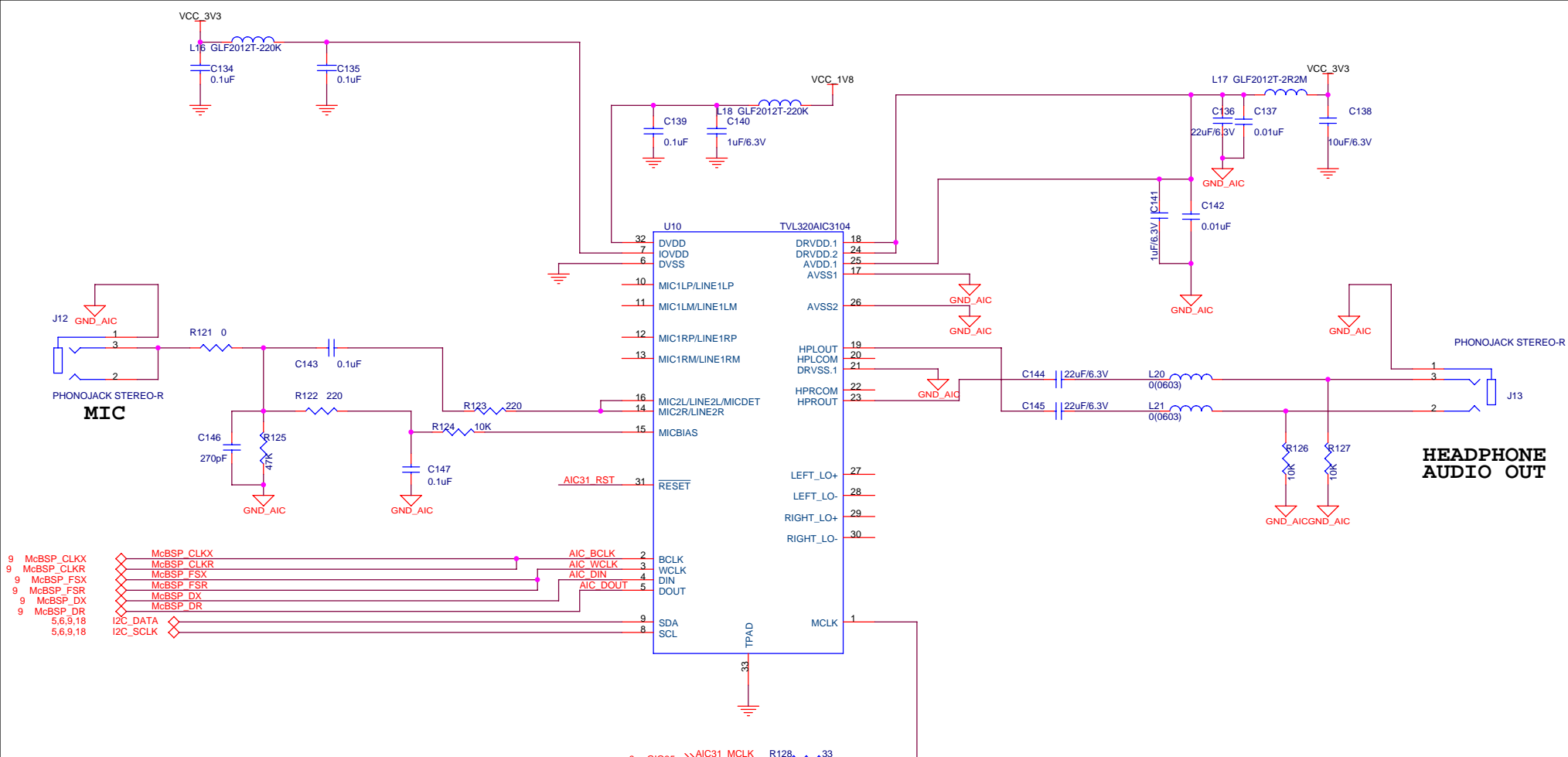
EM_CE0 ONLY USING FOR NAND FLASH BOOT



LEOPARD IMAGING INC			
Title: LeopardBoard 368			
Page Contents: NAND FLASH			
Size: B	DWG NO	Revision: 1.5	
Date: Sunday, January 02, 2011	Sheet 17 of		21

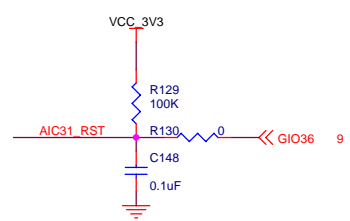


LEOPARD IMAGING INC			
Title: LeopardBoard 368			
Page Contents: COMPONENT VIDEO OUTPUT			
Size: B	DWG NO	Revision: 1.5	
Date: Sunday, January 02, 2011	Sheet 18 of		21

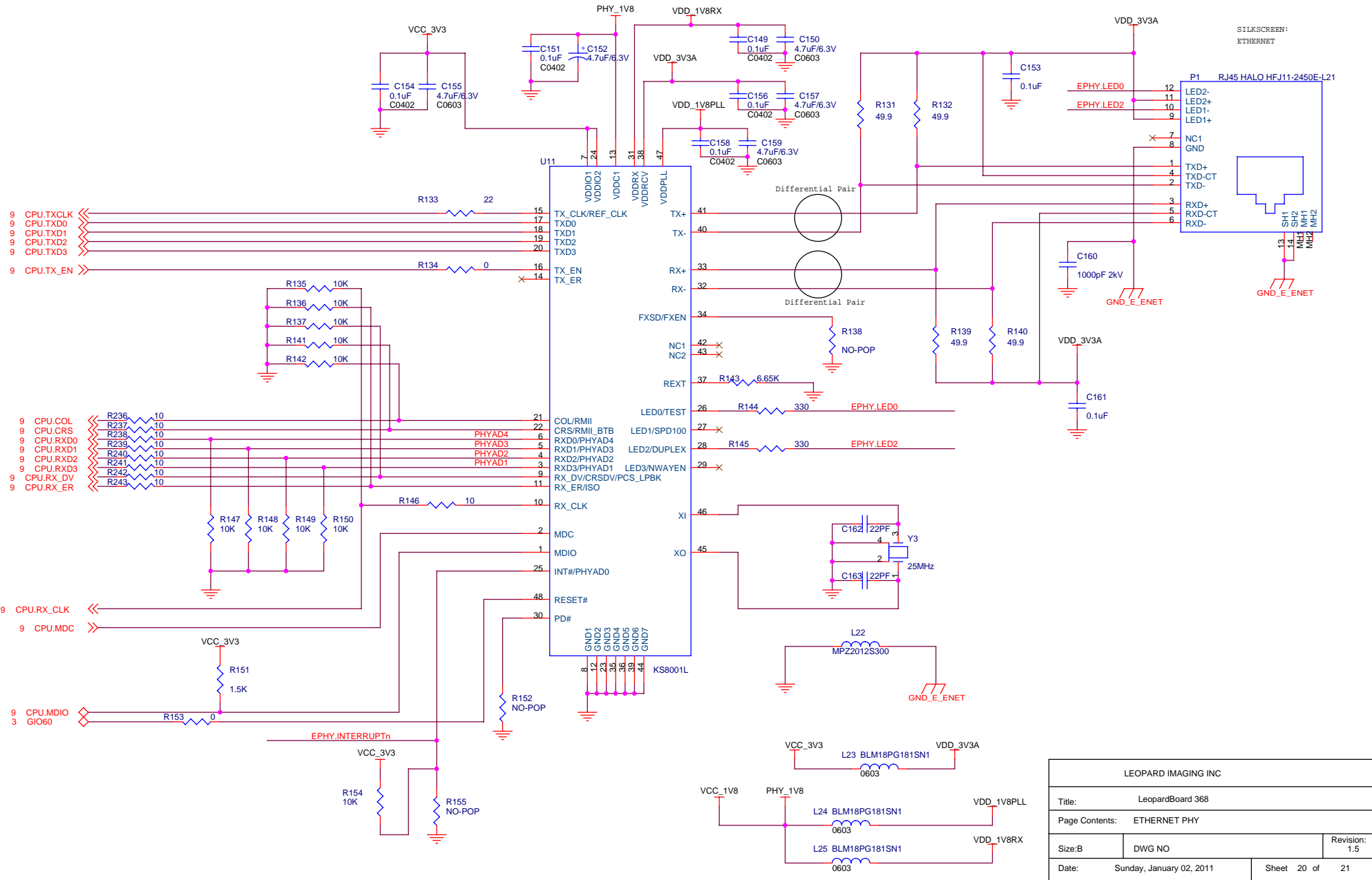


- 9 McBSP_CLKX
- 9 McBSP_CLKR
- 9 McBSP_FSX
- 9 McBSP_FSR
- 9 McBSP_DX
- 9 McBSP_DR
- 5,6,9,18 I2C_DATA
- 5,6,9,18 I2C_SCL

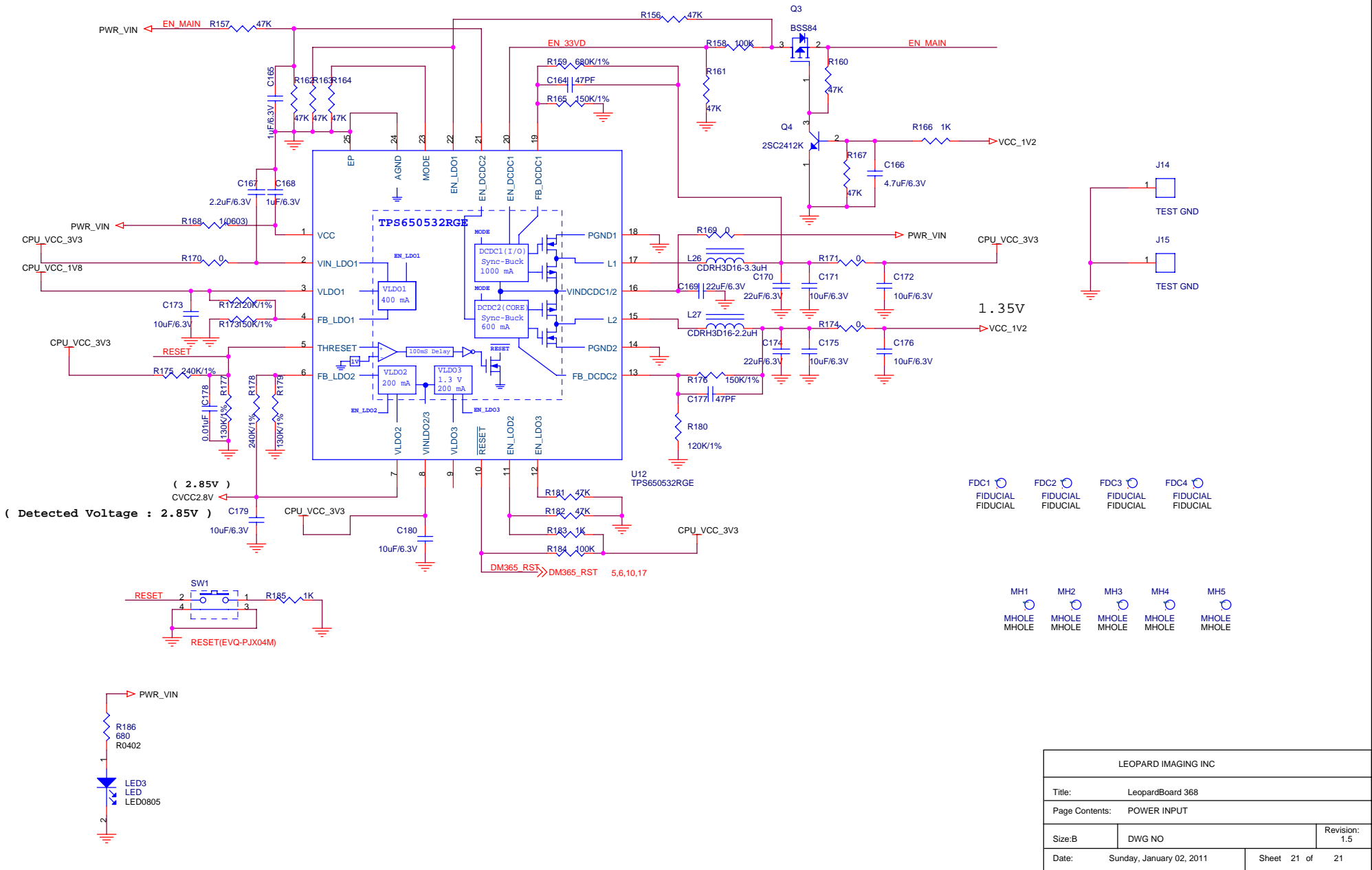
ISOLATE GROUNDS
AND CONNECT AT
SINGLE LOCATION
IN THE GROUND
PLANE



LEOPARD IMAGING INC		
Title: LeopardBoard 368		
Page Contents: AIC3104 AUDIO INTERFACE		
Size: B	DWG NO	Revision: 1.5
Date: Sunday, January 02, 2011		Sheet 19 of 21



LEOPARD IMAGING INC			
Title: LeopardBoard 368			
Page Contents: ETHERNET PHY			
Size: B	DWG NO	Revision: 1.5	
Date: Sunday, January 02, 2011	Sheet 20 of		21



LEOPARD IMAGING INC			
Title: LeopardBoard 368			
Page Contents: POWER INPUT			
Size: B	DWG NO	Revision: 1.5	
Date: Sunday, January 02, 2011	Sheet 21 of		21